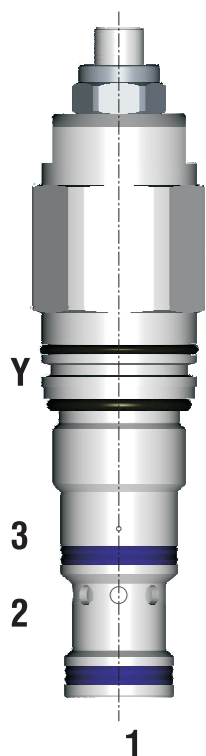


Overcenter Valve Fully Balanced, Internal Drain

SOBD5A-CPY3

1-1/16-12 UN • Q_{max} 80 l/min (21 GPM) • p_{max} 350 bar (5100 PSI)

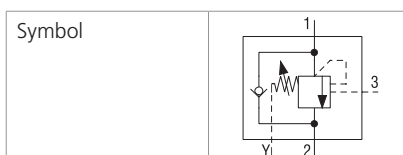


Technical Features

- › The valve prevents runaway ahead of the pump in the event of a negative load
- › Load-holding with leak-free closing poppet when the directional control valve is in neutral position
- › Pressure relief function protecting the actuator against overloading and pressure peaks
- › Integrated check valve acting as an anti-cavitation valve
- › When installed close to actuator the valve can be used as a hose burst valve
- › Back pressure has got negligible effect on relief setting nor the required pilot pressure
- › Setting can be performed during machine operation = leak free closing of adjustable element
- › Wide relief pressure range of setting, in standard up to 350 bar (5100 PSI)
- › Spring chamber is vented to external drainage port Y.
- › In the standard version, the valve is zinc-coated for 520 h protection acc. to ISO 9227

Functional Description

Poppet-type, screw-in motion control valve designed to control the runaway of a negative load. The built-in check valve allows reverse flow into the actuator, which is protected by the internal pressure relief function. Back pressure at port 2 has got negligible effect to the pressure relief setting and the required pilot pressure.



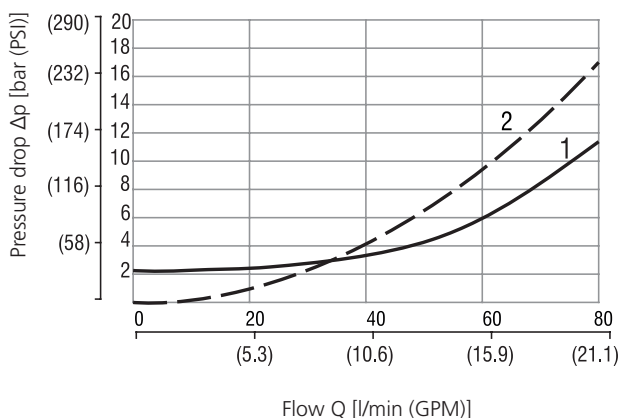
Technical Data

Valve size / Cartridge cavity		1-1/16-12 UN-2A / CPY3	
Max. flow	l/min (GPM)	80 (21.1)	
Relief pressure range		22	35
Max. load induced pressure	bar (PSI)	180 (2610)	280 (4060)
Max. relief pressure	bar (PSI)	225 (3260)	350 (5080)
Fluid temperature range (NBR)	°C (°F)	-30... +100 (-22... +212)	
Fluid temperature range (FPM)	°C (°F)	-20... +120 (-4... +248)	
Pilot ratio		2.5:1, 5:1	
Leakage	ml/min	0.3 (5 drops per min)	
Weight	kg (lbs)	0.40 (0.88)	
General information		Datasheet	Type
		GI_0060	Products and operating conditions
Valve bodies	In-line mounted	SB_0018	SB-CPY3*
	Sandwich mounted	SB-04(06)_0028	-
Cavity details		SMT_0019	SMT-CPY3*
Spare parts		SP_8010	

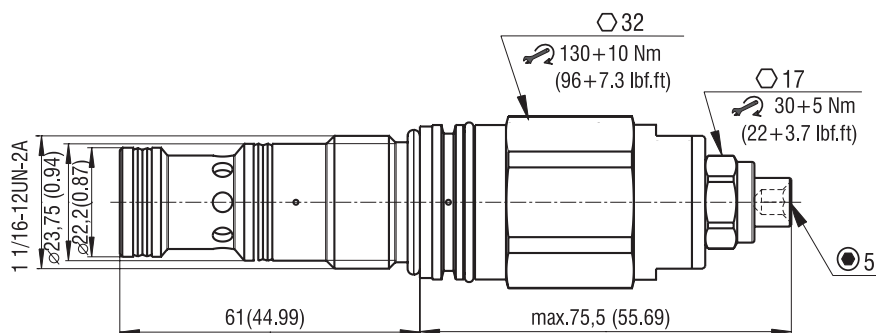
Characteristics measured at $v = 40 \text{ mm}^2/\text{s}$ (195 SUS)

Pressure drop related to flow rate

Pilot ratio 2.5:1 and 5:1



Flow	
1	free flow (2→1)
2	pilot open (1→2)

Dimensions in millimeters (inches)

Ordering Code
SOBD5A - CPY3 / H - **S** - **B**

Overcenter valve fully balanced, internal drain
 Vented to Y port

Valve cavity
 1-1/16-12 UN

Model
 High performance

Pilot ratio

	2.5:1	2
standard	5:1	5

Relief pressure range

70 - 225 bar (1020 - 3260 PSI)
 190 - 350 bar (2760 - 5080 PSI)

22
 35

Surface treatment
 zinc-coated (ZnNi), ISO 9227 (520 h)

No designation
 V

Seals
 NBR
 FPM (Viton)

Adjustment option
 allen head (Hex. 5) without protective cap