

Carbon Steel



**GM** 2-WAY HIGH PRESSURE BALL VALVES

GM G 1/2 DN13 A105 316L POM

Type and way of valve  
GM 2-way high pressure ball valves

Valves dimension of inch

GAS	ANSI/ASME	SAE	SW	SW	PE
DIN/ISO 228	B1.20.1 NPT	J1926-1		EXTRALONG	
G 1/4	N 1/4	SAE6	SW 1/4	SWXT 1/4	PE 1/4
G 3/8	N 3/8	SAE8	SW 3/8	SWXT 3/8	PE 3/8
G 1/2	N 1/2	SAE12	SW 1/2	SWXT 1/2	PE 1/2
G 3/4	N 3/4	SAE16	SW 3/4	SWXT 3/4	PE 3/4
G 1"	N 1"	SAE20	SW 1"	SWXT 1"	PE 1"
G 1 1/4	N 1 1/4	SAE24	SW 1 1/4	SWXT 1 1/4	PE 1 1/4
G 1 1/2	N 1 1/2	SAE32	SW 1 1/2	SWXT 1 1/2	PE 1 1/2
G 2"	N 2"		SW 2"	SWXT 2"	PE 2"
G 2 1/2	N 2 1/2		SW 2 1/2	SWXT 2 1/2	PE 2 1/2
G 3"	N 3"		SW 3"	SWXT 3"	PE 3"
G 4"	N 4"		SW 4"	SWXT 4"	PE 4"

Nominal dimension

- DN6
- DN10
- DN13
- DN20
- DN25
- DN32
- DN40
- DN50
- DN65
- DN80
- DN100

Body and adapter material

A105 1,0570

Stem and ball material

316L 1,4404

Ball seat material

- A POM
- D PEEK
- G PA612
- K GEMPTFE
- C PTFE

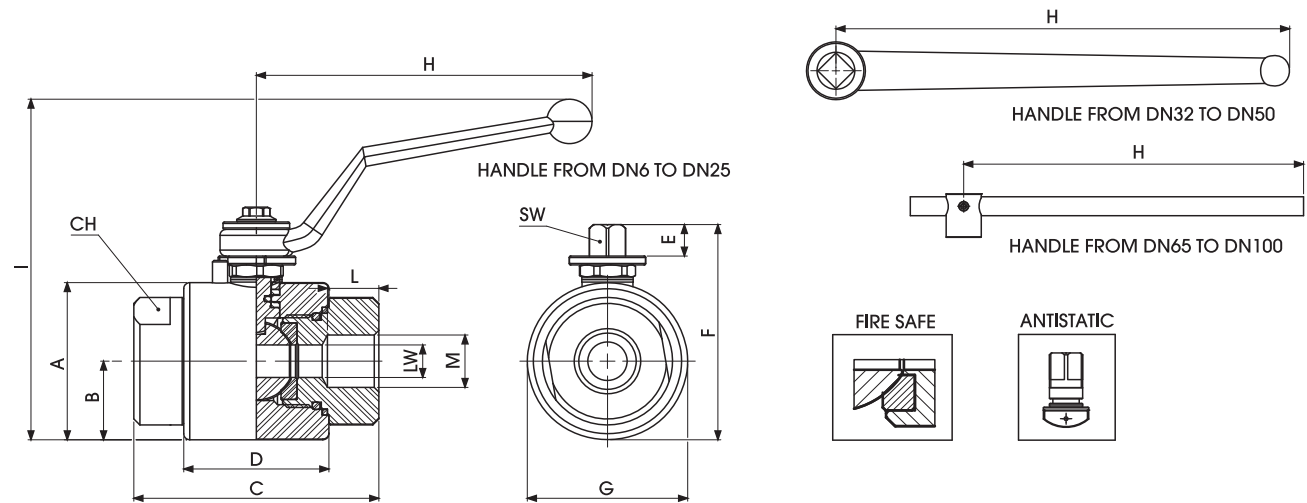
Adapter and stem seal material

- B NBR
- E FKM
- F EPDM
- L MVQ

Specifications

- Type: ball valve GM 2way
- Body: round
- Material: 1,0570/1,4404
- Ball seats: from DN6 up to DN100
- O-Rings: NBR, FKM, EPDM, MVQ
- Operating pressure: 50 Bar to 500 Bar  
S800 to S3000 PN depending on valve size  
and seal materials selected
- Fire safe BS 6755
- Antistatic device
- Temp range: -20°C to +100°C depending  
on seal material selected

"The company reserves the right to operate dimensional changes without prior notice".



GM DIN ISO 228 BSP

TYPE	DN	A	B	C	D	E	F	ØG	H	I	L	M	CH	SW	LW	WEIGHT Kg
GM G 1/4	6	-	23,5	72	44	10,5	66,5	47	110	109	15,5	G 1/4	32	9	6	0,869
GM G 3/8	10	-	23,5	72	44	10,5	66,5	47	110	109	15,5	G 3/8	32	9	10	0,844
GM G 1/2	13	-	26,5	81	48	10,5	72,5	53	110	115	17	G 1/2	38	9	13	1,151
GM G 3/4	20	-	31,5	98	62	14	90	63	180	122	21	G 3/4	48	14	20	2,109
GM G 1"	25	-	36,5	106	66	14	99	73	180	133	24	G 1"	55	14	25	2,872
GM G 1" 1/4	32	-	42	127	83	14	111	84	300	120,5	25	G 1" 1/4	65	17	32	4,557
GM G 1" 1/2	40	-	49,5	135	89	14	126	99	300	134,5	25	G 1" 1/2	80	17	40	6,482
GM G 2"	50	-	56	160	101	14	132	104	300	140,5	27	G 2"	90	17	50	7,966
GM G 2" 1/2	65	140	70	174	105	23,5	176,5	150	600	226	32	G 2" 1/2	110	19	65	17,506
GM G 3"	80	155	77,5	191,5	114	23,5	191	167	600	241	32	G 3"	125	19	80	22,896
GM G 4"	100	188	94	230	148	31	231,5	200	600	278,5	40	G 4"	150	19	100	36,999

"The company reserves the right to operate dimensional changes without prior notice".



**(POM seal)** GM DIN/ISO 228 PN

DN	PN	ITEM CODE
6	500	GM2GGT15024A000
10	500	GM2GGT25024A000
13	500	GM2GGT35024A000
20	400	GM2GGT44024A000
25	350	GM2GGT53024A000
32	350	GM2GGT63024A000
40	350	GM2GGT73024A000
50	350	GM2GGT83024A000
65	150	GM2GGT9C024A000
80	100	GM2GGTA1024A000
100	50	GM2GGTBI024A000

**(PEEK seal)** GM DIN/ISO 228 PN

DN	PN	ITEM CODE
6	500	GM2GGT15024P000
10	500	GM2GGT25024P000
13	500	GM2GGT35024P000
20	400	GM2GGT44024P000
25	350	GM2GGT53024P000
32	350	GM2GGT63024P000
40	350	GM2GGT73024P000
50	350	GM2GGT83024P000
65	150	GM2GGT9C024P000
80	100	GM2GGTA1024P000
100	50	GM2GGTBI024P000

**(PA612 seal)** GM DIN/ISO 228 PN

DN	PN	ITEM CODE
6	500	GM2GGT15024T000
10	500	GM2GGT25024T000
13	500	GM2GGT35024T000
20	400	GM2GGT44024T000
25	350	GM2GGT53024T000
32	350	GM2GGT63024T000
40	350	GM2GGT73024T000
50	350	GM2GGT83024T000
65	150	GM2GGT9C024T000
80	100	GM2GGTA1024T000
100	50	GM2GGTBI024T000

**(GEMPTFE seal)** GM DIN/ISO 228 PN

DN	PN	ITEM CODE
6	500	GM2GGT15024L000
10	500	GM2GGT25024L000
13	500	GM2GGT35024L000
20	400	GM2GGT44024L000
25	350	GM2GGT53024L000
32	350	GM2GGT63024L000
40	350	GM2GGT73024L000
50	350	GM2GGT83024L000
65	150	GM2GGT9C024L000
80	100	GM2GGTA1024L000
100	50	GM2GGTBI024L000

**(POM seal)** GM DIN/ISO 228 S3000

DN	PN	ITEM CODE
6	S3000	GM2GGT1F024A000
10	S3000	GM2GGT2F024A000
13	S3000	GM2GGT3F024A000
20	S3000	GM2GGT4F024A000
25	S3000	GM2GGT5F024A000
32	S3000	GM2GGT6F024A000
40	S3000	GM2GGT7F024A000
50	S3000	GM2GGT8F024A000
65	S3000 (15 Mpa)	GM2GGT9F024A000
80	S3000 (10 Mpa)	GM2GGTAF024A000
100	S3000 (5 Mpa)	GM2GGTBF024A000

**(PEEK seal)** GM DIN/ISO 228 S3000

DN	PN	ITEM CODE
6	S3000	GM2GGT1F024P000
10	S3000	GM2GGT2F024P000
13	S3000	GM2GGT3F024P000
20	S3000	GM2GGT4F024P000
25	S3000	GM2GGT5F024P000
32	S3000	GM2GGT6F024P000
40	S3000	GM2GGT7F024P000
50	S3000	GM2GGT8F024P000
65	S3000 (15 Mpa)	GM2GGT9F024P000
80	S3000 (10 Mpa)	GM2GGTAF024P000
100	S3000 (5 Mpa)	GM2GGTBF024P000

**(PA612 seal)** GM DIN/ISO 228 S3000

DN	PN	ITEM CODE
6	S3000	GM2GGT1F024T000
10	S3000	GM2GGT2F024T000
13	S3000	GM2GGT3F024T000
20	S3000	GM2GGT4F024T000
25	S3000	GM2GGT5F024T000
32	S3000	GM2GGT6F024T000
40	S3000	GM2GGT7F024T000
50	S3000	GM2GGT8F024T000
65	S3000 (15 Mpa)	GM2GGT9F024T000
80	S3000 (10 Mpa)	GM2GGTAF024T000
100	S3000 (5 Mpa)	GM2GGTBF024T000

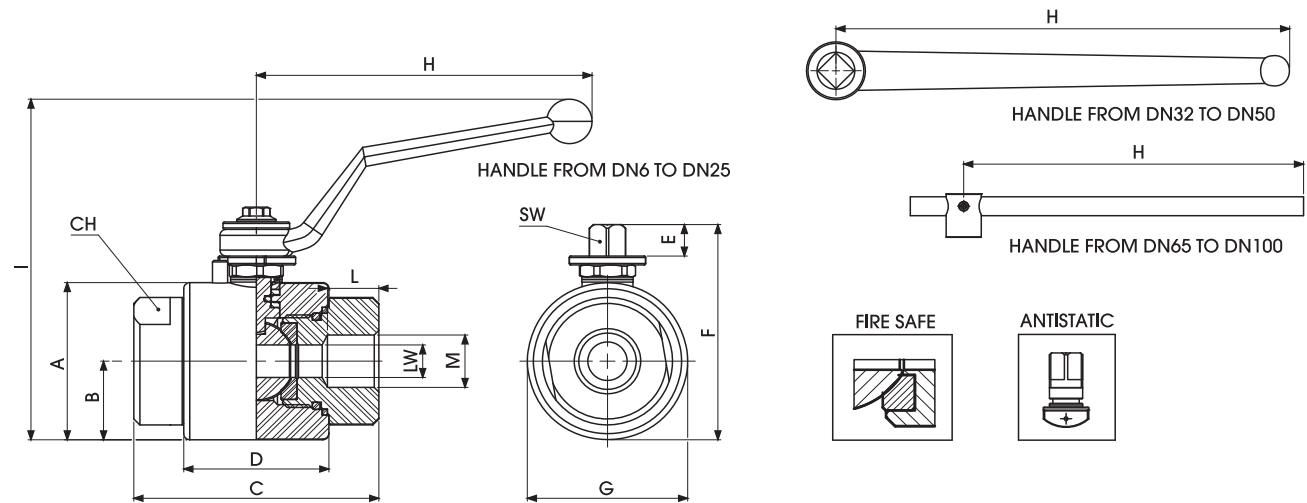
**(GEMPTFE seal)** GM DIN/ISO 228 S3000

DN	PN	ITEM CODE
6	S3000	GM2GGT1F024L000
10	S3000	GM2GGT2F024L000
13	S3000	GM2GGT3F024L000
20	S3000	GM2GGT4F024L000
25	S3000	GM2GGT5F024L000
32	S3000	GM2GGT6F024L000
40	S3000	GM2GGT7F024L000
50	S3000	GM2GGT8F024L000
65	S3000 (15 Mpa)	GM2GGT9F024L000
80	S3000 (10 Mpa)	GM2GGTAF024L000
100	S3000 (5 Mpa)	GM2GGTBF024L000

**(PTFE seal)** GM DIN/ISO 228 S800

DN	PN	ITEM CODE
6	S800	GM2GGT1A024F000
10	S800	GM2GGT2A024F000
13	S800	GM2GGT3A024F000
20	S800	GM2GGT4A024F000
25	S800	GM2GGT5A024F000
32	S800	GM2GGT6A024F000
40	S800	GM2GGT7A024F000
50	S800	GM2GGT8A024F000
65	S800	GM2GGT9A024F000
80	S800	GM2GGTAA024F000
100	S800	GM2GGTBA024F000

"The company reserves the right to operate dimensional changes without prior notice".



**GM ANSI/ASME  
B1.20.1 NPT**

TYPE	DN	A	B	C	D	E	F	ØG	H	I	L	M	CH	SW	LW	WEIGHT Kg
GM N 1/4	6	-	23,5	72	44	10,5	66,5	47	110	109	17	N 1/4	32	9	6	0,869
GM N 3/8	10	-	23,5	72	44	10,5	66,5	47	110	109	17	N 3/8	32	9	10	0,844
GM N 1/2	13	-	26,5	81	48	10,5	72,5	53	110	115	21	N 1/2	38	9	13	1,151
GM N 3/4	20	-	31,5	98	62	14	90	63	180	122	21	N 3/4	48	14	20	2,109
GM N 1"	25	-	36,5	106	66	14	99	73	180	133	24	N 1"	55	14	25	2,872
GM N 1" 1/4	32	-	42	127	83	14	111	84	300	120,5	25	N 1" 1/4	65	17	32	4,557
GM N 1" 1/2	40	-	49,5	135	89	14	126	99	300	134,5	25	N 1" 1/2	80	17	40	6,482
GM N 2"	50	-	56	160	101	14	132	104	300	140,5	27	N 2"	90	17	50	7,966
GM N 2" 1/2	65	140	70	174	105	23,5	176,5	150	600	226	32	N 2" 1/2	110	19	65	17,506
GM N 3"	80	155	77,5	191,5	114	23,5	191	167	600	241	32	N 3"	125	19	80	22,896
GM N 4"	100	188	94	230	148	31	231,5	200	600	278,5	40	N 4"	150	19	100	36,999

"The company reserves the right to operate dimensional changes without prior notice".



**(POM seal)** GM ANSI-ASME B1.20.1 NPT PN

DN	PN	ITEM CODE
6	500	GM2NNT15024A000
10	500	GM2NNT25024A000
13	500	GM2NNT35024A000
20	400	GM2NNT44024A000
25	350	GM2NNT53024A000
32	350	GM2NNT63024A000
40	350	GM2NNT73024A000
50	350	GM2NNT83024A000
65	150	GM2NNT9C024A000
80	100	GM2NNTA1024A000
100	50	GM2NNTBI024A000

**(PEEK seal)** GM ANSI-ASME B1.20.1 NPT PN

DN	PN	ITEM CODE
6	500	GM2NNT15024P000
10	500	GM2NNT25024P000
13	500	GM2NNT35024P000
20	400	GM2NNT44024P000
25	350	GM2NNT53024P000
32	350	GM2NNT63024P000
40	350	GM2NNT73024P000
50	350	GM2NNT83024P000
65	150	GM2NNT9C024P000
80	100	GM2NNTA1024P000
100	50	GM2NNTBI024P000

**(PA612 seal)** GM ANSI-ASME B1.20.1 NPT PN

DN	PN	ITEM CODE
6	500	GM2NNT15024T000
10	500	GM2NNT25024T000
13	500	GM2NNT35024T000
20	400	GM2NNT44024T000
25	350	GM2NNT53024T000
32	350	GM2NNT63024T000
40	350	GM2NNT73024T000
50	350	GM2NNT83024T000
65	150	GM2NNT9C024T000
80	100	GM2NNTA1024T000
100	50	GM2NNTBI024T000

**(GEMPTFE seal)** GM ANSI-ASME B1.20.1 NPT PN

DN	PN	ITEM CODE
6	500	GM2NNT15024L000
10	500	GM2NNT25024L000
13	500	GM2NNT35024L000
20	400	GM2NNT44024L000
25	350	GM2NNT53024L000
32	350	GM2NNT63024L000
40	350	GM2NNT73024L000
50	350	GM2NNT83024L000
65	150	GM2NNT9C024L000
80	100	GM2NNTA1024L000
100	50	GM2NNTBI024L000

**(POM seal)** GM ANSI-ASME B1.20.1 NPT S3000

DN	PN	ITEM CODE
6	S3000	GM2NNT1F024A000
10	S3000	GM2NNT2F024A000
13	S3000	GM2NNT3F024A000
20	S3000	GM2NNT4F024A000
25	S3000	GM2NNT5F024A000
32	S3000	GM2NNT6F024A000
40	S3000	GM2NNT7F024A000
50	S3000	GM2NNT8F024A000
65	S3000 (15 Mpa)	GM2NNT9F024A000
80	S3000 (10 Mpa)	GM2NNTAF024A000
100	S3000 (5 Mpa)	GM2NNTBF024A000

**(PEEK seal)** GM ANSI-ASME B1.20.1 NPT S3000

DN	PN	ITEM CODE
6	S3000	GM2NNT1F024P000
10	S3000	GM2NNT2F024P000
13	S3000	GM2NNT3F024P000
20	S3000	GM2NNT4F024P000
25	S3000	GM2NNT5F024P000
32	S3000	GM2NNT6F024P000
40	S3000	GM2NNT7F024P000
50	S3000	GM2NNT8F024P000
65	S3000 (15 Mpa)	GM2NNT9F024P000
80	S3000 (10 Mpa)	GM2NNTAF024P000
100	S3000 (5 Mpa)	GM2NNTBF024P000

**(PA612 seal)** GM ANSI-ASME B1.20.1 NPT S3000

DN	PN	ITEM CODE
6	S3000	GM2NNT1F024T000
10	S3000	GM2NNT2F024T000
13	S3000	GM2NNT3F024T000
20	S3000	GM2NNT4F024T000
25	S3000	GM2NNT5F024T000
32	S3000	GM2NNT6F024T000
40	S3000	GM2NNT7F024T000
50	S3000	GM2NNT8F024T000
65	S3000 (15 Mpa)	GM2NNT9F024T000
80	S3000 (10 Mpa)	GM2NNTAF024T000
100	S3000 (5 Mpa)	GM2NNTBF024T000

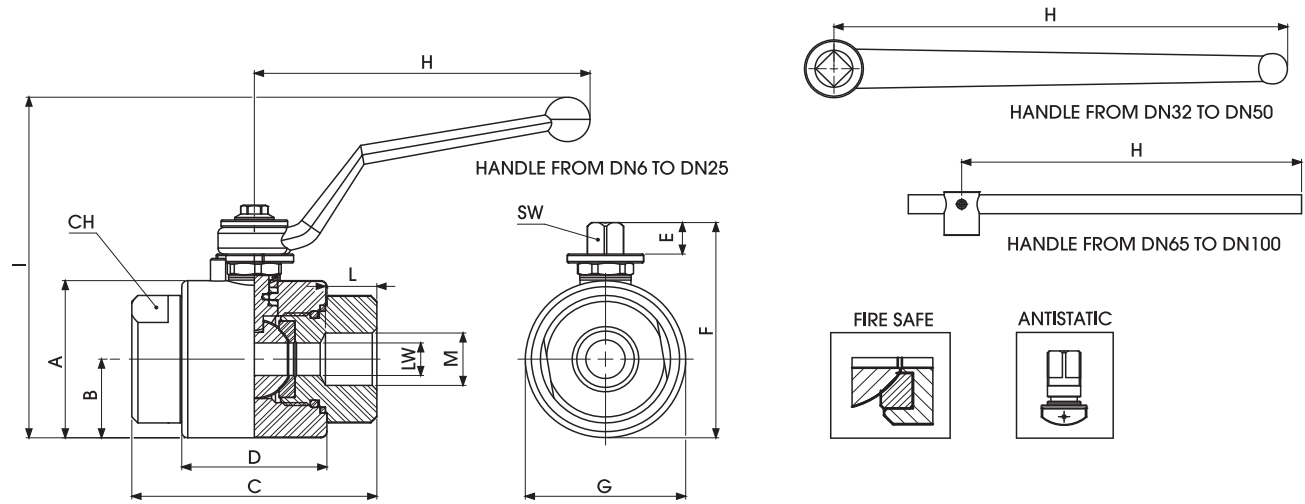
**(GEMPTFE seal)** GM ANSI-ASME B1.20.1 NPT S3000

DN	PN	ITEM CODE
6	S3000	GM2NNT1F024L000
10	S3000	GM2NNT2F024L000
13	S3000	GM2NNT3F024L000
20	S3000	GM2NNT4F024L000
25	S3000	GM2NNT5F024L000
32	S3000	GM2NNT6F024L000
40	S3000	GM2NNT7F024L000
50	S3000	GM2NNT8F024L000
65	S3000 (15 Mpa)	GM2NNT9F024L000
80	S3000 (10 Mpa)	GM2NNTAF024L000
100	S3000 (5 Mpa)	GM2NNTBF024L000

**(PTFE seal)** GM ANSI-ASME B1.20.1 NPT S800

DN	PN	ITEM CODE
6	S800	GM2NNT1A024F000
10	S800	GM2NNT2A024F000
13	S800	GM2NNT3A024F000
20	S800	GM2NNT4A024F000
25	S800	GM2NNT5A024F000
32	S800	GM2NNT6A024F000
40	S800	GM2NNT7A024F000
50	S800	GM2NNT8A024F000
65	S800	GM2NNT9A024F000
80	S800	GM2NNTAA024F000
100	S800	GM2NNTBA024F000

"The company reserves the right to operate dimensional changes without prior notice".



GM SAE J1926-1

TYPE	DN	A	B	C	D	E	F	ØG	H	I	L	M	CH	SW	LW	WEIGHT Kg
GM SAE4	6	-	23,5	72	44	10,5	66,5	47	110	109	15,5	7/16 UNF	32	9	6	0,869
GM SAE6	10	-	23,5	72	44	10,5	66,5	47	110	109	16	9/16 UNF	32	9	10	0,844
GM SAE8	13	-	26,5	81	48	10,5	72,5	53	110	115	17,5	3/4 UNF	38	9	13	1,151
GM SAE12	20	-	31,5	98	62	14	90	63	180	122	23	1"1/16 UN	48	14	20	2,109
GM SAE16	25	-	36,5	106	66	14	99	73	180	133	24	1"5/16 UN	55	14	25	2,872
GM SAE20	32	-	42	127	83	14	111	84	300	120,5	24	1"5/8 UN	65	17	32	4,557
GM SAE24	40	-	49,5	135	89	14	126	99	300	134,5	25	1"7/8 UN	80	17	40	6,482
GM SAE32	50	-	56	160	101	14	132	104	300	140,5	27	1"1/2 UN	90	17	50	7,966

"The company reserves the right to operate dimensional changes without prior notice".



**(POM seal)** GM SAE J1926-1 PN

DN	PN	ITEM CODE
6	500	GM2EEE05024A000
10	500	GM2EEE15024A000
13	500	GM2EEE25024A000
20	400	GM2EEE34024A000
25	350	GM2EEE43024A000
32	350	GM2EEE53024A000
40	350	GM2EEE63024A000
50	350	GM2EEE73024A000

**(PEEK seal)** GM SAE J1926-1 PN

DN	PN	ITEM CODE
6	500	GM2EEE05024P000
10	500	GM2EEE15024P000
13	500	GM2EEE25024P000
20	400	GM2EEE34024P000
25	350	GM2EEE43024P000
32	350	GM2EEE53024P000
40	350	GM2EEE63024P000
50	350	GM2EEE73024P000

**(PA612 seal)** GM SAE J1926-1 PN

DN	PN	ITEM CODE
6	500	GM2EEE05024T000
10	500	GM2EEE15024T000
13	500	GM2EEE25024T000
20	400	GM2EEE34024T000
25	350	GM2EEE43024T000
32	350	GM2EEE53024T000
40	350	GM2EEE63024T000
50	350	GM2EEE73024T000

**(GEMPTFE seal)** GM SAE J1926-1 PN

DN	PN	ITEM CODE
6	500	GM2EEE05024L000
10	500	GM2EEE15024L000
13	500	GM2EEE25024L000
20	400	GM2EEE34024L000
25	350	GM2EEE43024L000
32	350	GM2EEE53024L000
40	350	GM2EEE63024L000
50	350	GM2EEE73024L000

**(POM seal)** GM SAE J1926-1 S3000

DN	PN	ITEM CODE
6	S3000	GM2EEE0F024A000
10	S3000	GM2EEE1F024A000
13	S3000	GM2EEE2F024A000
20	S3000	GM2EEE3F024A000
25	S3000	GM2EEE4F024A000
32	S3000	GM2EEE5F024A000
40	S3000	GM2EEE6F024A000
50	S3000	GM2EEE7F024A000

**(PEEK seal)** GM SAE J1926-1 S3000

DN	PN	ITEM CODE
6	S3000	GM2EEE0F024P000
10	S3000	GM2EEE1F024P000
13	S3000	GM2EEE2F024P000
20	S3000	GM2EEE3F024P000
25	S3000	GM2EEE4F024P000
32	S3000	GM2EEE5F024P000
40	S3000	GM2EEE6F024P000
50	S3000	GM2EEE7F024P000

**(PA612 seal)** GM SAE J1926-1 S3000

DN	PN	ITEM CODE
6	S3000	GM2EEE0F024T000
10	S3000	GM2EEE1F024T000
13	S3000	GM2EEE2F024T000
20	S3000	GM2EEE3F024T000
25	S3000	GM2EEE4F024T000
32	S3000	GM2EEE5F024T000
40	S3000	GM2EEE6F024T000
50	S3000	GM2EEE7F024T000

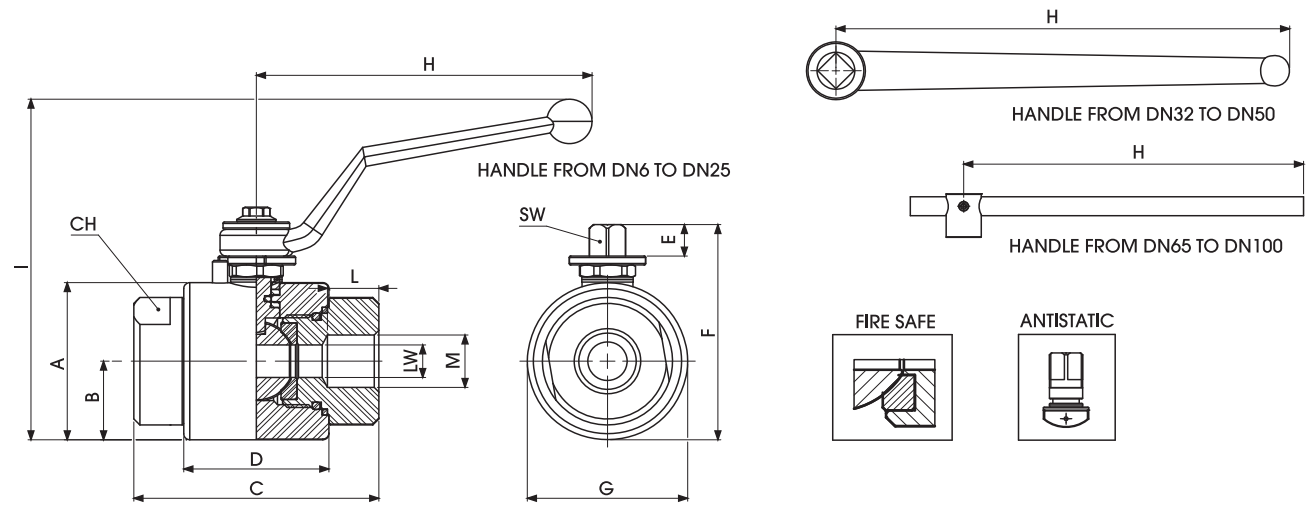
**(GEMPTFE seal)** GM SAE J1926-1 S3000

DN	PN	ITEM CODE
6	S3000	GM2EEE0F024L000
10	S3000	GM2EEE1F024L000
13	S3000	GM2EEE2F024L000
20	S3000	GM2EEE3F024L000
25	S3000	GM2EEE4F024L000
32	S3000	GM2EEE5F024L000
40	S3000	GM2EEE6F024L000
50	S3000	GM2EEE7F024L000

**(PTFE seal)** GM SAE J1926-1 S800

DN	PN	ITEM CODE
6	S800	GM2EEEE0A024F000
10	S800	GM2EEE1A024F000
13	S800	GM2EEE2A024F000
20	S800	GM2EEE2A024F000
25	S800	GM2EEE4A024F000
32	S800	GM2EEE5A024F000
40	S800	GM2EEE6A024F000
50	S800	GM2EEE7A024F000

"The company reserves the right to operate dimensional changes without prior notice".



GM SW

TYPE	DN	A	B	C	D	E	F	ØG	H	I	L	ØM	CH	SW	LW	WEIGHT Kg
GM SW 1/4	6	-	23,5	72	44	10,5	66,5	47	110	109	11,1	14,1	32	9	6	0,869
GM SW 3/8	10	-	23,5	72	44	10,5	66,5	47	110	109	11,1	17,53	32	9	10	0,844
GM SW 1/2	13	-	26,5	81	48	10,5	72,5	53	110	115	12,7	21,72	38	9	13	1,151
GM SW 3/4	20	-	31,5	98	62	14	90	63	180	122	15	27,05	48	14	20	2,109
GM SW 1"	25	-	36,5	106	66	14	99	73	180	133	16	33,78	55	14	25	2,872
GM SW 1" 1/4	32	-	42	127	83	14	111	84	300	120,5	17,5	42,7	65	17	32	4,557
GM SW 1" 1/2	40	-	49,5	135	89	14	126	99	300	134,5	19	48,64	80	17	40	6,482
GM SW 2"	50	-	56	160	101	14	132	104	300	140,5	22	61,2	90	17	50	7,966
GM SW 2" 1/2	65	140	70	174	105	23,5	176,5	150	600	226	30	73,9	110	19	65	17,506
GM SW 3"	80	155	77,5	191,5	114	23,5	191	167	600	241	30	89,8	125	19	80	22,896
GM SW 4"	100	188	94	230	148	31	231,5	200	600	278,5	30	115,2	150	19	100	36,999

"The company reserves the right to operate dimensional changes without prior notice".



**(POM seal)** GM SW PN

DN	PN	ITEM CODE
6	500	GM2TTT15024A000
10	500	GM2TTT25024A000
13	500	GM2TTT35024A000
20	400	GM2TTT44024A000
25	350	GM2TTT53024A000
32	350	GM2TTT63024A000
40	350	GM2TTT73024A000
50	350	GM2TTT83024A000
65	150	GM2TTT9C024A000
80	100	GM2TTTA1024A000
100	50	GM2TTTB1024A000

**(PEEK seal)** GM SW PN

DN	PN	ITEM CODE
6	500	GM2TTT15024P000
10	500	GM2TTT25024P000
13	500	GM2TTT35024P000
20	400	GM2TTT44024P000
25	350	GM2TTT53024P000
32	350	GM2TTT63024P000
40	350	GM2TTT73024P000
50	350	GM2TTT83024P000
65	150	GM2TTT9C024P000
80	100	GM2TTTA1024P000
100	50	GM2TTTB1024P000

**(PA612 seal)** GM SW PN

DN	PN	ITEM CODE
6	500	GM2TTT15024T000
10	500	GM2TTT25024T000
13	500	GM2TTT35024T000
20	400	GM2TTT44024T000
25	350	GM2TTT53024T000
32	350	GM2TTT63024T000
40	350	GM2TTT73024T000
50	350	GM2TTT83024T000
65	150	GM2TTT9C024T000
80	100	GM2TTTA1024T000
100	50	GM2TTTB1024T000

**(GEMPTFE seal)** GM SW PN

DN	PN	ITEM CODE
6	500	GM2TTT15024L000
10	500	GM2TTT25024L000
13	500	GM2TTT35024L000
20	400	GM2TTT44024L000
25	350	GM2TTT53024L000
32	350	GM2TTT63024L000
40	350	GM2TTT73024L000
50	350	GM2TTT83024L000
65	150	GM2TTT9C024L000
80	100	GM2TTTA1024L000
100	50	GM2TTTB1024L000

**(POM seal)** GM SW S3000

DN	PN	ITEM CODE
6	S3000	GM2TTT1F024A000
10	S3000	GM2TTT2F024A000
13	S3000	GM2TTT3F024A000
20	S3000	GM2TTT4F024A000
25	S3000	GM2TTT5F024A000
32	S3000	GM2TTT6F024A000
40	S3000	GM2TTT7F024A000
50	S3000	GM2TTT8F024A000
65	S3000 (15 Mpa)	GM2TTT9F024A000
80	S3000 (10 Mpa)	GM2TTTAF024A000
100	S3000 (5 Mpa)	GM2TTTBF024A000

**(PEEK seal)** GM SW S3000

DN	PN	ITEM CODE
6	S3000	GM2TTT1F024P000
10	S3000	GM2TTT2F024P000
13	S3000	GM2TTT3F024P000
20	S3000	GM2TTT4F024P000
25	S3000	GM2TTT5F024P000
32	S3000	GM2TTT6F024P000
40	S3000	GM2TTT7F024P000
50	S3000	GM2TTT8F024P000
65	S3000 (15 Mpa)	GM2TTT9F024P000
80	S3000 (10 Mpa)	GM2TTTAF024P000
100	S3000 (5 Mpa)	GM2TTTBF024P000

**(PA612 seal)** GM SW S3000

DN	PN	ITEM CODE
6	S3000	GM2TTT1F024T000
10	S3000	GM2TTT2F024T000
13	S3000	GM2TTT3F024T000
20	S3000	GM2TTT4F024T000
25	S3000	GM2TTT5F024T000
32	S3000	GM2TTT6F024T000
40	S3000	GM2TTT7F024T000
50	S3000	GM2TTT8F024T000
65	S3000 (15 Mpa)	GM2TTT9F024T000
80	S3000 (10 Mpa)	GM2TTTAF024T000
100	S3000 (5 Mpa)	GM2TTTBF024T000

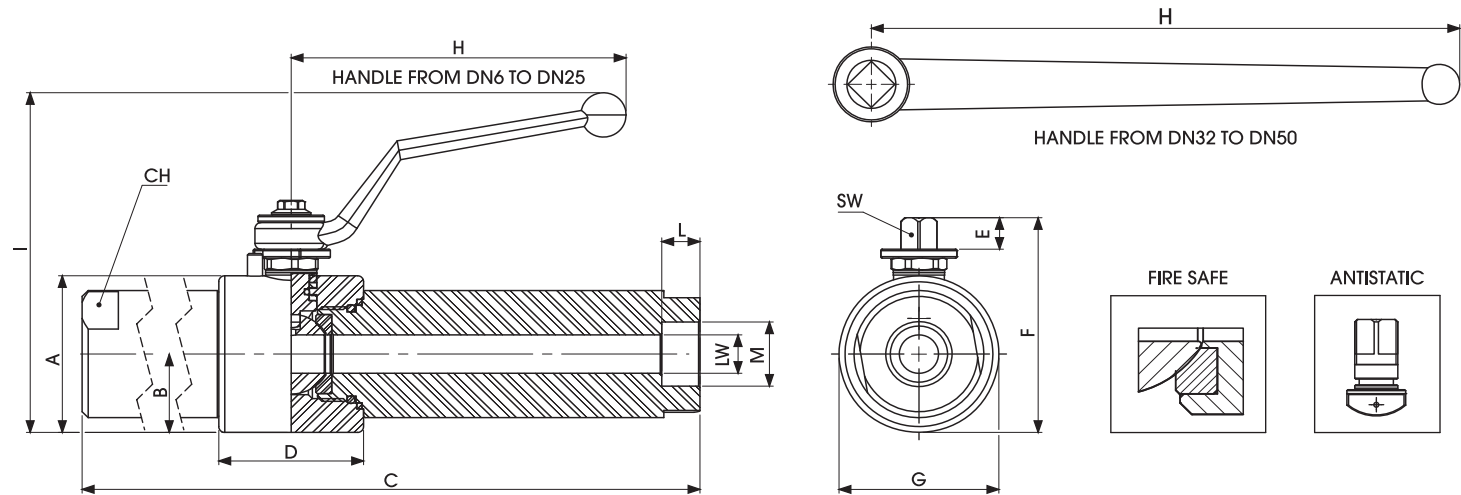
**(GEMPTFE seal)** GM SW S3000

DN	PN	ITEM CODE
6	S3000	GM2TTT1F024L000
10	S3000	GM2TTT2F024L000
13	S3000	GM2TTT3F024L000
20	S3000	GM2TTT4F024L000
25	S3000	GM2TTT5F024L000
32	S3000	GM2TTT6F024L000
40	S3000	GM2TTT7F024L000
50	S3000	GM2TTT8F024L000
65	S3000 (15 Mpa)	GM2TTT9F024L000
80	S3000 (10 Mpa)	GM2TTTAF024L000
100	S3000 (5 Mpa)	GM2TTTBF024L000

**(PTFE seal)** GM SW S800

DN	PN	ITEM CODE
6	S800	GM2TTT1A024F000
10	S800	GM2TTT2A024F000
13	S800	GM2TTT3A024F000
20	S800	GM2TTT4A024F000
25	S800	GM2TTT5A024F000
32	S800	GM2TTT6A024F000
40	S800	GM2TTT7A024F000
50	S800	GM2TTT8A024F000

"The company reserves the right to operate dimensional changes without prior notice".



## GM SW EXTRALONG

TYPE	DN	A	B	C	D	E	F	ØG	H	I	L	ØM	CH	SW	LW	WEIGHT Kg
GM SWXT 1/4"	6	-	23,5	262	44	10,5	66,5	47	110	109	11,1	14,1	32	9	6	2,529
GM SWXT 3/8"	10	-	23,5	262	44	10,5	66,5	47	110	109	11,1	17,53	32	9	10	2,427
GM SWXT 1/2"	13	-	26,5	271	48	10,5	72,5	53	110	115	12,7	21,72	38	9	13	3,126
GM SWXT 3/4"	20	-	31,5	288	62	14	90	63	180	122	15	27,05	48	14	20	5,056
GM SWXT 1"	25	-	36,5	296	66	14	99	73	180	133	16	33,78	55	14	25	6,956
GM SWXT 1" 1/4"	32	-	42	318	83	14	111	84	300	120,5	17,5	42,7	65	17	32	9,83
GM SWXT 1" 1/2"	40	-	49,5	325	89	14	126	99	300	134,5	19	48,64	80	17	40	13,883
GM SWXT 2"	50	-	56	350	101	14	132	104	300	140,5	22	61,2	90	17	50	16,733

"The company reserves the right to operate dimensional changes without prior notice".



### (POM seal) GM SW EXTRALONG PN

DN	PN	ITEM CODE
6	500	GM2TXT15024A000
10	500	GM2TXT25024A000
13	500	GM2TXT35024A000
20	400	GM2TXT44024A000
25	350	GM2TXT53024A000
32	350	GM2TXT63024A000
40	350	GM2TXT73024A000
50	350	GM2TXT83024A000

### (PEEK seal) GM SW EXTRALONG PN

DN	PN	ITEM CODE
6	500	GM2TXT15024P000
10	500	GM2TXT25024P000
13	500	GM2TXT35024P000
20	400	GM2TXT44024P000
25	350	GM2TXT53024P000
32	350	GM2TXT63024P000
40	350	GM2TXT73024P000
50	350	GM2TXT83024P000

### (PA612 seal) GM SW EXTRALONG PN

DN	PN	ITEM CODE
6	500	GM2TXT15024T000
10	500	GM2TXT25024T000
13	500	GM2TXT35024T000
20	400	GM2TXT44024T000
25	350	GM2TXT53024T000
32	350	GM2TXT63024T000
40	350	GM2TXT73024T000
50	350	GM2TXT83024T000

### (GEMPTFE seal) GM SW EXTRALONG PN

DN	PN	ITEM CODE
6	500	GM2TXT15024L000
10	500	GM2TXT25024L000
13	500	GM2TXT35024L000
20	400	GM2TXT44024L000
25	350	GM2TXT53024L000
32	350	GM2TXT63024L000
40	350	GM2TXT73024L000
50	350	GM2TXT83024L000

### (POM seal) GM SW EXTRALONG S3000

DN	PN	ITEM CODE
6	S3000	GM2TXT1F024A000
10	S3000	GM2TXT2F024A000
13	S3000	GM2TXT3F024A000
20	S3000	GM2TXT4F024A000
25	S3000	GM2TXT5F024A000
32	S3000	GM2TXT6F024A000
40	S3000	GM2TXT7F024A000
50	S3000	GM2TXT8F024A000

### (PEEK seal) GM SW EXTRALONG S3000

DN	PN	ITEM CODE
6	S3000	GM2TXT1F024P000
10	S3000	GM2TXT2F024P000
13	S3000	GM2TXT3F024P000
20	S3000	GM2TXT4F024P000
25	S3000	GM2TXT5F024P000
32	S3000	GM2TXT6F024P000
40	S3000	GM2TXT7F024P000
50	S3000	GM2TXT8F024P000

### (PA612 seal) GM SW EXTRALONG S3000

DN	PN	ITEM CODE
6	S3000	GM2TXT1F024T000
10	S3000	GM2TXT2F024T000
13	S3000	GM2TXT3F024T000
20	S3000	GM2TXT4F024T000
25	S3000	GM2TXT5F024T000
32	S3000	GM2TXT6F024T000
40	S3000	GM2TXT7F024T000
50	S3000	GM2TXT8F024T000

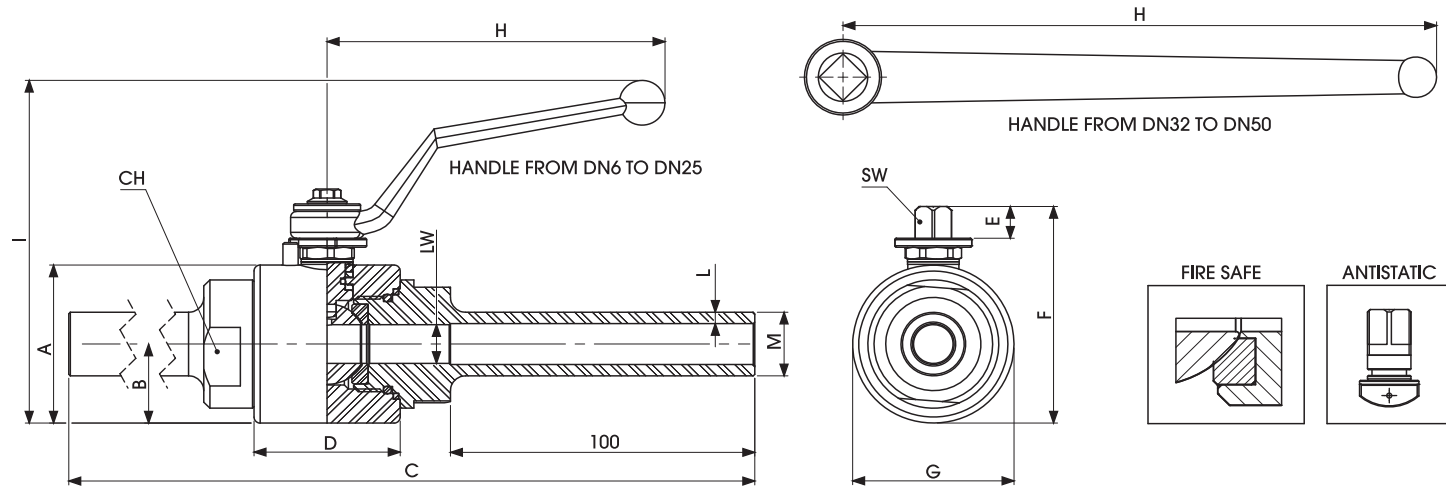
### (GEMPTFE seal) GM SW EXTRALONG S3000

DN	PN	ITEM CODE
6	S3000	GM2TXT1F024L000
10	S3000	GM2TXT2F024L000
13	S3000	GM2TXT3F024L000
20	S3000	GM2TXT4F024L000
25	S3000	GM2TXT5F024L000
32	S3000	GM2TXT6F024L000
40	S3000	GM2TXT7F024L000
50	S3000	GM2TXT8F024L000

### (PTFE seal) GM SW EXTRALONG S800

DN	PN	ITEM CODE
6	S800	GM2TXT1A024F000
10	S800	GM2TXT2A024F000
13	S800	GM2TXT3A024F000
20	S800	GM2TXT4A024F000
25	S800	GM2TXT5A024F000
32	S800	GM2TXT6A024F000
40	S800	GM2TXT7A024F000
50	S800	GM2TXT8A024F000

"The company reserves the right to operate dimensional changes without prior notice".



GM PE

TYPE	DN	A	B	C	D	E	F	ØG	H	I	L SCH80	ØM	CH	SW	LW	WEIGHT Kg
GM PE 1/4	6	-	23,5	272	44	10,5	66,5	47	110	109	3,02	13,7	32	9	6	1,054
GM PE 3/8	10	-	23,5	272	44	10,5	66,5	47	110	109	3,2	17,1	32	9	10	1,093
GM PE 1/2	13	-	26,5	281	48	10,5	72,5	53	110	115	3,73	21,3	38	9	13	1,528
GM PE 3/4	20	-	31,5	298	62	14	90	63	180	122	3,91	26,7	48	14	20	2,63
GM PE 1"	25	-	36,5	306	66	14	99	73	180	133	4,55	33,4	55	14	25	3,646
GM PE 1" 1/4	32	-	42	327	83	14	111	84	300	120,5	4,85	42,2	65	17	32	5,638
GM PE 1" 1/2	40	-	49,5	335	89	14	126	99	300	134,5	5,08	48,3	80	17	40	7,73
GM PE 2"	50	-	56	360	101	14	132	104	300	140,5	5,54	60,3	90	17	50	9,827

"The company reserves the right to operate dimensional changes without prior notice".



### (POM seal) *GM PE PN*

DN	PN	ITEM CODE
6	500	GM2BWT15024A000
10	500	GM2BWT25024A000
13	500	GM2BWT35024A000
20	400	GM2BWT44024A000
25	350	GM2BWT53024A000
32	350	GM2BWT63024A000
40	350	GM2BWT73024A000
50	350	GM2BWT83024A000

### (PEEK seal) *GM PE PN*

DN	PN	ITEM CODE
6	500	GM2BWT15024P000
10	500	GM2BWT25024P000
13	500	GM2BWT35024P000
20	400	GM2BWT44024P000
25	350	GM2BWT53024P000
32	350	GM2BWT63024P000
40	350	GM2BWT73024P000
50	350	GM2BWT83024P000

### (PA612 seal) *GM PE PN*

DN	PN	ITEM CODE
6	500	GM2BWT15024T000
10	500	GM2BWT25024T000
13	500	GM2BWT35024T000
20	400	GM2BWT44024T000
25	350	GM2BWT53024T000
32	350	GM2BWT63024T000
40	350	GM2BWT73024T000
50	350	GM2BWT83024T000

### (GEMPTFE seal) *GM PE PN*

DN	PN	ITEM CODE
6	500	GM2BWT15024L000
10	500	GM2BWT25024L000
13	500	GM2BWT35024L000
20	400	GM2BWT44024L000
25	350	GM2BWT53024L000
32	350	GM2BWT63024L000
40	350	GM2BWT73024L000
50	350	GM2BWT83024L000

### (POM seal) *GM PE S3000*

DN	PN	ITEM CODE
6	S3000	GM2BWT1F024A000
10	S3000	GM2BWT2F024A000
13	S3000	GM2BWT3F024A000
20	S3000	GM2BWT4F024A000
25	S3000	GM2BWT5F024A000
32	S3000	GM2BWT6F024A000
40	S3000	GM2BWT7F024A000
50	S3000	GM2BWT8F024A000

### (PEEK seal) *GM PE S3000*

DN	PN	ITEM CODE
6	S3000	GM2BWT1F024P000
10	S3000	GM2BWT2F024P000
13	S3000	GM2BWT3F024P000
20	S3000	GM2BWT4F024P000
25	S3000	GM2BWT5F024P000
32	S3000	GM2BWT6F024P000
40	S3000	GM2BWT7F024P000
50	S3000	GM2BWT8F024P000

### (PA612 seal) *GM PE S3000*

DN	PN	ITEM CODE
6	S3000	GM2BWT1F024T000
10	S3000	GM2BWT2F024T000
13	S3000	GM2BWT3F024T000
20	S3000	GM2BWT4F024T000
25	S3000	GM2BWT5F024T000
32	S3000	GM2BWT6F024T000
40	S3000	GM2BWT7F024T000
50	S3000	GM2BWT8F024T000

### (GEMPTFE seal) *GM PE S3000*

DN	PN	ITEM CODE
6	S3000	GM2BWT1F024L000
10	S3000	GM2BWT2F024L000
13	S3000	GM2BWT3F024L000
20	S3000	GM2BWT4F024L000
25	S3000	GM2BWT5F024L000
32	S3000	GM2BWT6F024L000
40	S3000	GM2BWT7F024L000
50	S3000	GM2BWT8F024L000

### (PTFE seal) *GM PE S800*

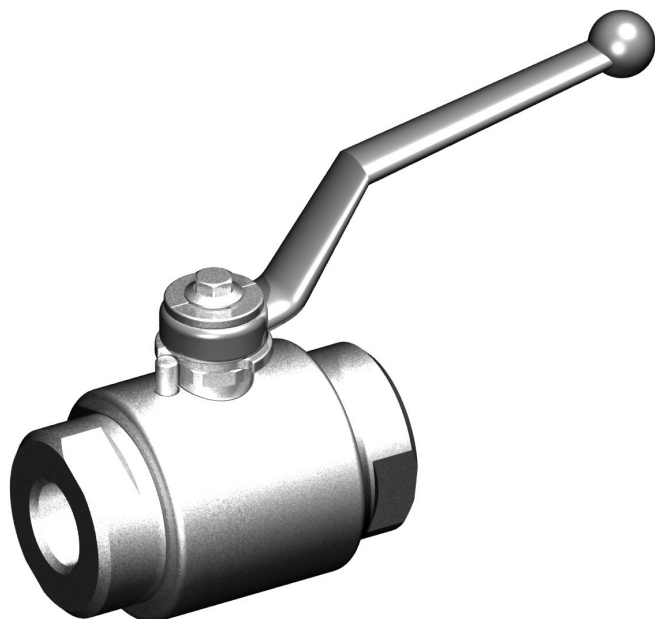
DN	PN	ITEM CODE
6	S800	GM2BWT1A024F000
10	S800	GM2BWT2A024F000
13	S800	GM2BWT3A024F000
20	S800	GM2BWT4A024F000
25	S800	GM2BWT5A024F000
32	S800	GM2BWT6A024F000
40	S800	GM2BWT7A024F000
50	S800	GM2BWT8A024F000

"The company reserves the right to operate dimensional changes without prior notice".





Stainless Steel



**GM** 2-WAY HIGH PRESSURE BALL VALVES

GM G 1/2 DN13 316L 316L POM

Type and way of valve  
GM 2-way high pressure ball valves

Valves dimension of inch

GAS	ANSI/ASME	SAE	SW	SW	PE
DIN/ISO 228	B1.20.1 NPT	J1926-1		EXTRALONG	
G 1/4	N 1/4	SAE6	SW 1/4	SWXT 1/4	PE 1/4
G 3/8	N 3/8	SAE8	SW 3/8	SWXT 3/8	PE 3/8
G 1/2	N 1/2	SAE12	SW 1/2	SWXT 1/2	PE 1/2
G 3/4	N 3/4	SAE16	SW 3/4	SWXT 3/4	PE 3/4
G 1"	N 1"	SAE20	SW 1"	SWXT 1"	PE 1"
G 1 1/4	N 1 1/4	SAE24	SW 1 1/4	SWXT 1 1/4	PE 1 1/4
G 1 1/2	N 1 1/2	SAE32	SW 1 1/2	SWXT 1 1/2	PE 1 1/2
G 2"	N 2"		SW 2"	SWXT 2"	PE 2"
G 2 1/2	N 2 1/2		SW 2 1/2	SWXT 2 1/2	PE 2 1/2
G 3"	N 3"		SW 3"	SWXT 3"	PE 3"
G 4"	N 4"		SW 4"	SWXT 4"	PE 4"

Nominal dimension

- DN6
- DN10
- DN13
- DN20
- DN25
- DN32
- DN40
- DN50
- DN65
- DN80
- DN100

Body and adapter material

316L 1,4404

Stem and ball material

316L 1,4404

Ball seat material

- A POM
- D PEEK
- G PA612
- K GEMPTFE
- C PTFE

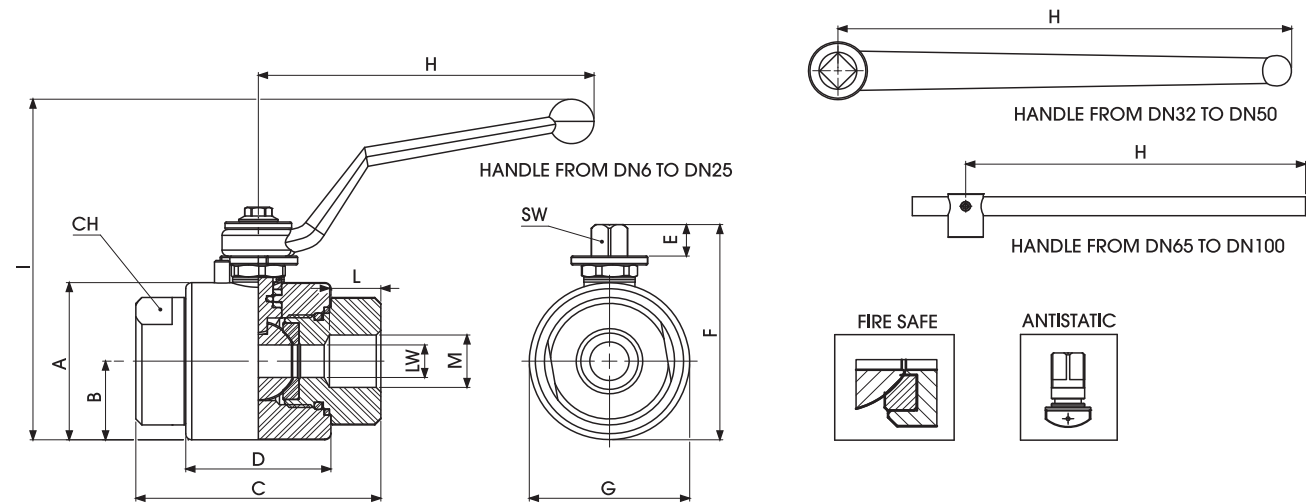
Adapter and stem seal material

- B NBR
- E FKM
- F EPDM
- L MVQ

Specifications

- Type: ball valve GM 2way
- Body: round
- Material: 1,4404
- Ball seats: from DN6 up to DN100
- O-Rings: NBR, FKM, EPDM, MVQ
- Operating pressure: 50 Bar to 500 Bar  
S800 to S3000 PN depending on valve size  
and seal materials selected
- Fire safe BS 6755
- Antistatic device
- Temp range: -60°C to +230°C depending  
on seal material selected

"The company reserves the right to operate dimensional changes without prior notice".



## GM DIN ISO 228 BSP

TYPE	DN	A	B	C	D	E	F	ØG	H	I	L	M	CH	SW	LW	WEIGHT Kg
GM G 1/4	6	-	23,5	72	44	10,5	66,5	47	110	109	15,5	G 1/4	32	9	6	0,869
GM G 3/8	10	-	23,5	72	44	10,5	66,5	47	110	109	15,5	G 3/8	32	9	10	0,844
GM G 1/2	13	-	26,5	81	48	10,5	72,5	53	110	115	17	G 1/2	38	9	13	1,151
GM G 3/4	20	-	31,5	98	62	14	90	63	180	122	21	G 3/4	48	14	20	2,109
GM G 1"	25	-	36,5	106	66	14	99	73	180	133	24	G 1"	55	14	25	2,872
GM G 1" 1/4	32	-	42	127	83	14	111	84	300	120,5	25	G 1" 1/4	65	17	32	4,557
GM G 1" 1/2	40	-	49,5	135	89	14	126	99	300	134,5	25	G 1" 1/2	80	17	40	6,482
GM G 2"	50	-	56	160	101	14	132	104	300	140,5	27	G 2"	90	17	50	7,966
GM G 2" 1/2	65	140	70	174	105	23,5	176,5	150	600	226	32	G 2" 1/2	110	19	65	17,506
GM G 3"	80	155	77,5	191,5	114	23,5	191	167	600	241	32	G 3"	125	19	80	22,896
GM G 4"	100	188	94	230	148	31	231,5	200	600	278,5	40	G 4"	150	19	100	36,999

"The company reserves the right to operate dimensional changes without prior notice".





**(POM seal)** GM DIN/ISO 228 PN

DN	PN	ITEM CODE
6	500	GM2GGT15044A000
10	500	GM2GGT25044A000
13	500	GM2GGT35044A000
20	400	GM2GGT44044A000
25	350	GM2GGT53044A000
32	350	GM2GGT63044A000
40	350	GM2GGT73044A000
50	350	GM2GGT83044A000
65	150	GM2GGT9C044A000
80	100	GM2GGTA1044A000
100	50	GM2GGTBI044A000

**(PEEK seal)** GM DIN/ISO 228 PN

DN	PN	ITEM CODE
6	500	GM2GGT15044P000
10	500	GM2GGT25044P000
13	500	GM2GGT35044P000
20	400	GM2GGT44044P000
25	350	GM2GGT53044P000
32	350	GM2GGT63044P000
40	350	GM2GGT73044P000
50	350	GM2GGT83044P000
65	150	GM2GGT9C044P000
80	100	GM2GGTA1044P000
100	50	GM2GGTBI044P000

**(PA612 seal)** GM DIN/ISO 228 PN

DN	PN	ITEM CODE
6	500	GM2GGT15044T000
10	500	GM2GGT25044T000
13	500	GM2GGT35044T000
20	400	GM2GGT44044T000
25	350	GM2GGT53044T000
32	350	GM2GGT63044T000
40	350	GM2GGT73044T000
50	350	GM2GGT83044T000
65	150	GM2GGT9C044T000
80	100	GM2GGTA1044T000
100	50	GM2GGTBI044T000

**(GEMPTFE seal)** GM DIN/ISO 228 PN

DN	PN	ITEM CODE
6	500	GM2GGT15044L000
10	500	GM2GGT25044L000
13	500	GM2GGT35044L000
20	400	GM2GGT44044L000
25	350	GM2GGT53044L000
32	350	GM2GGT63044L000
40	350	GM2GGT73044L000
50	350	GM2GGT83044L000
65	150	GM2GGT9C044L000
80	100	GM2GGTA1044L000
100	50	GM2GGTBI044L000

**(POM seal)** GM DIN/ISO 228 S3000

DN	PN	ITEM CODE
6	S3000	GM2GGT1F044A000
10	S3000	GM2GGT2F044A000
13	S3000	GM2GGT3F044A000
20	S3000	GM2GGT4F044A000
25	S3000	GM2GGT5F044A000
32	S3000	GM2GGT6F044A000
40	S3000	GM2GGT7F044A000
50	S3000	GM2GGT8F044A000
65	S3000 (15 Mpa)	GM2GGT9F044A000
80	S3000 (10 Mpa)	GM2GGTAF044A000
100	S3000 (5 Mpa)	GM2GGTBF044A000

**(PEEK seal)** GM DIN/ISO 228 S3000

DN	PN	ITEM CODE
6	S3000	GM2GGT1F044P000
10	S3000	GM2GGT2F044P000
13	S3000	GM2GGT3F044P000
20	S3000	GM2GGT4F044P000
25	S3000	GM2GGT5F044P000
32	S3000	GM2GGT6F044P000
40	S3000	GM2GGT7F044P000
50	S3000	GM2GGT8F044P000
65	S3000 (15 Mpa)	GM2GGT9F044P000
80	S3000 (10 Mpa)	GM2GGTAF044P000
100	S3000 (5 Mpa)	GM2GGTBF044P000

**(PA612 seal)** GM DIN/ISO 228 S3000

DN	PN	ITEM CODE
6	S3000	GM2GGT1F044T000
10	S3000	GM2GGT2F044T000
13	S3000	GM2GGT3F044T000
20	S3000	GM2GGT4F044T000
25	S3000	GM2GGT5F044T000
32	S3000	GM2GGT6F044T000
40	S3000	GM2GGT7F044T000
50	S3000	GM2GGT8F044T000
65	S3000 (15 Mpa)	GM2GGT9F044T000
80	S3000 (10 Mpa)	GM2GGTAF044T000
100	S3000 (5 Mpa)	GM2GGTBF044T000

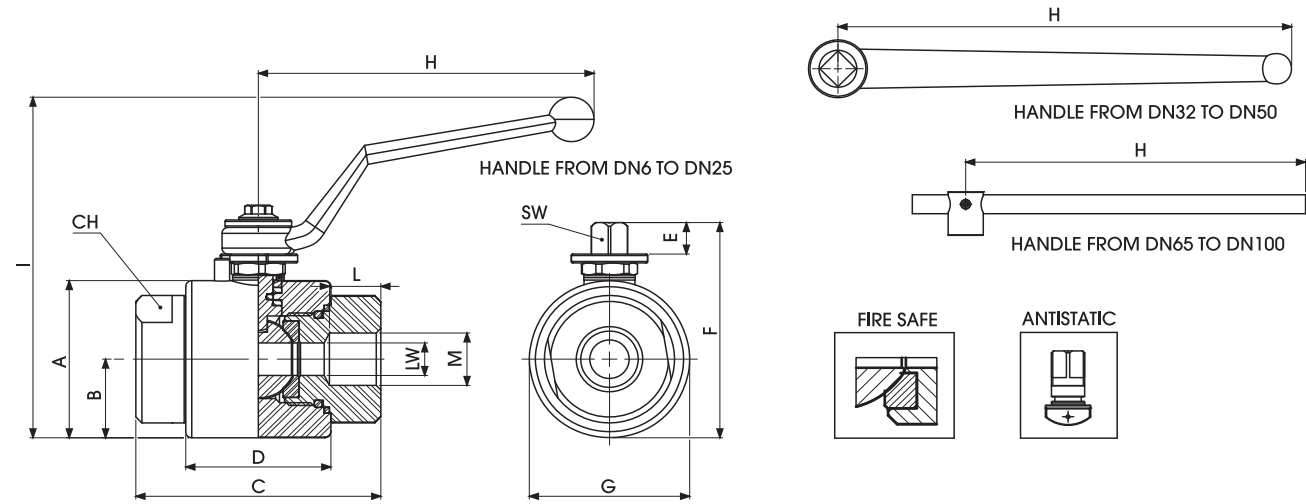
**(GEMPTFE seal)** GM DIN/ISO 228 S3000

DN	PN	ITEM CODE
6	S3000	GM2GGT1F044L000
10	S3000	GM2GGT2F044L000
13	S3000	GM2GGT3F044L000
20	S3000	GM2GGT4F044L000
25	S3000	GM2GGT5F044L000
32	S3000	GM2GGT6F044L000
40	S3000	GM2GGT7F044L000
50	S3000	GM2GGT8F044L000
65	S3000 (15 Mpa)	GM2GGT9F044L000
80	S3000 (10 Mpa)	GM2GGTAF044L000
100	S3000 (5 Mpa)	GM2GGTBF044L000

**(PTFE seal)** GM DIN/ISO 228 S800

DN	PN	ITEM CODE
6	S800	GM2GGT1A044F000
10	S800	GM2GGT2A044F000
13	S800	GM2GGT3A044F000
20	S800	GM2GGT4A044F000
25	S800	GM2GGT5A044F000
32	S800	GM2GGT6A044F000
40	S800	GM2GGT7A044F000
50	S800	GM2GGT8A044F000
65	S800	GM2GGT9A044F000
80	S800	GM2GGTAA044F000
100	S800	GM2GGTBA044F000

"The company reserves the right to operate dimensional changes without prior notice".


**GM ANSI/ASME  
B1.20.1 NPT**

TYPE	DN	A	B	C	D	E	F	ØG	H	I	L	M	CH	SW	LW	WEIGHT Kg
GM N 1/4	6	-	23,5	72	44	10,5	66,5	47	110	109	17	N 1/4	32	9	6	0,869
GM N 3/8	10	-	23,5	72	44	10,5	66,5	47	110	109	17	N 3/8	32	9	10	0,844
GM N 1/2	13	-	26,5	81	48	10,5	72,5	53	110	115	21	N 1/2	38	9	13	1,151
GM N 3/4	20	-	31,5	98	62	14	90	63	180	122	21	N 3/4	48	14	20	2,109
GM N 1"	25	-	36,5	106	66	14	99	73	180	133	24	N 1"	55	14	25	2,872
GM N 1" 1/4	32	-	42	127	83	14	111	84	300	120,5	25	N 1" 1/4	65	17	32	4,557
GM N 1" 1/2	40	-	49,5	135	89	14	126	99	300	134,5	25	N 1" 1/2	80	17	40	6,482
GM N 2"	50	-	56	160	101	14	132	104	300	140,5	27	N 2"	90	17	50	7,966
GM N 2" 1/2	65	140	70	174	105	23,5	176,5	150	600	226	32	N 2" 1/2	110	19	65	17,506
GM N 3"	80	155	77,5	191,5	114	23,5	191	167	600	241	32	N 3"	125	19	80	22,896
GM N 4"	100	188	94	230	148	31	231,5	200	600	278,5	40	N 4"	150	19	100	36,999

"The company reserves the right to operate dimensional changes without prior notice".



**(POM seal)** GM ANSI-ASME B1.20.1 NPT PN

DN	PN	ITEM CODE
6	500	GM2NNT15044A000
10	500	GM2NNT25044A000
13	500	GM2NNT35044A000
20	400	GM2NNT44044A000
25	350	GM2NNT53044A000
32	350	GM2NNT63044A000
40	350	GM2NNT73044A000
50	350	GM2NNT83044A000
65	150	GM2NNT9C044A000
80	100	GM2NNTA1044A000
100	50	GM2NNTBI044A000

**(PEEK seal)** GM ANSI-ASME B1.20.1 NPT PN

DN	PN	ITEM CODE
6	500	GM2NNT15044P000
10	500	GM2NNT25044P000
13	500	GM2NNT35044P000
20	400	GM2NNT44044P000
25	350	GM2NNT53044P000
32	350	GM2NNT63044P000
40	350	GM2NNT73044P000
50	350	GM2NNT83044P000
65	150	GM2NNT9C044P000
80	100	GM2NNTA1044P000
100	50	GM2NNTBI044P000

**(PA612 seal)** GM ANSI-ASME B1.20.1 NPT PN

DN	PN	ITEM CODE
6	500	GM2NNT15044T000
10	500	GM2NNT25044T000
13	500	GM2NNT35044T000
20	400	GM2NNT44044T000
25	350	GM2NNT53044T000
32	350	GM2NNT63044T000
40	350	GM2NNT73044T000
50	350	GM2NNT83044T000
65	150	GM2NNT9C044T000
80	100	GM2NNTA1044T000
100	50	GM2NNTBI044T000

**(GEMPTFE seal)** GM ANSI-ASME B1.20.1 NPT PN

DN	PN	ITEM CODE
6	500	GM2NNT15044L000
10	500	GM2NNT25044L000
13	500	GM2NNT35044L000
20	400	GM2NNT44044L000
25	350	GM2NNT53044L000
32	350	GM2NNT63044L000
40	350	GM2NNT73044L000
50	350	GM2NNT83044L000
65	150	GM2NNT9C044L000
80	100	GM2NNTA1044L000
100	50	GM2NNTBI044L000

**(POM seal)** GM ANSI-ASME B1.20.1 NPT S3000

DN	PN	ITEM CODE
6	S3000	GM2NNT1F044A000
10	S3000	GM2NNT2F044A000
13	S3000	GM2NNT3F044A000
20	S3000	GM2NNT4F044A000
25	S3000	GM2NNT5F044A000
32	S3000	GM2NNT6F044A000
40	S3000	GM2NNT7F044A000
50	S3000	GM2NNT8F044A000
65	S3000 (15 Mpa)	GM2NNT9F044A000
80	S3000 (10 Mpa)	GM2NNTAF044A000
100	S3000 (5 Mpa)	GM2NNTBF044A000

**(PEEK seal)** GM ANSI-ASME B1.20.1 NPT S3000

DN	PN	ITEM CODE
6	S3000	GM2NNT1F044P000
10	S3000	GM2NNT2F044P000
13	S3000	GM2NNT3F044P000
20	S3000	GM2NNT4F044P000
25	S3000	GM2NNT5F044P000
32	S3000	GM2NNT6F044P000
40	S3000	GM2NNT7F044P000
50	S3000	GM2NNT8F044P000
65	S3000 (15 Mpa)	GM2NNT9F044P000
80	S3000 (10 Mpa)	GM2NNTAF044P000
100	S3000 (5 Mpa)	GM2NNTBF044P000

**(PA612 seal)** GM ANSI-ASME B1.20.1 NPT S3000

DN	PN	ITEM CODE
6	S3000	GM2NNT1F044T000
10	S3000	GM2NNT2F044T000
13	S3000	GM2NNT3F044T000
20	S3000	GM2NNT4F044T000
25	S3000	GM2NNT5F044T000
32	S3000	GM2NNT6F044T000
40	S3000	GM2NNT7F044T000
50	S3000	GM2NNT8F044T000
65	S3000 (15 Mpa)	GM2NNT9F044T000
80	S3000 (10 Mpa)	GM2NNTAF044T000
100	S3000 (5 Mpa)	GM2NNTBF044T000

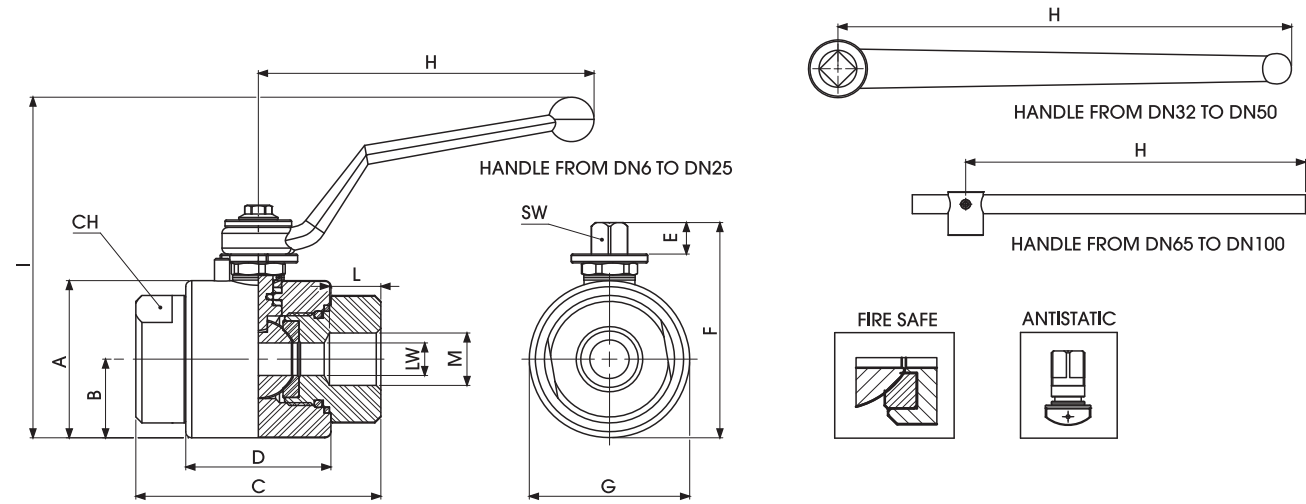
**(GEMPTFE seal)** GM ANSI-ASME B1.20.1 NPT S3000

DN	PN	ITEM CODE
6	S3000	GM2NNT1F044L000
10	S3000	GM2NNT2F044L000
13	S3000	GM2NNT3F044L000
20	S3000	GM2NNT4F044L000
25	S3000	GM2NNT5F044L000
32	S3000	GM2NNT6F044L000
40	S3000	GM2NNT7F044L000
50	S3000	GM2NNT8F044L000
65	S3000 (15 Mpa)	GM2NNT9F044L000
80	S3000 (10 Mpa)	GM2NNTAF044L000
100	S3000 (5 Mpa)	GM2NNTBF044L000

**(PTFE seal)** GM ANSI-ASME B1.20.1 NPT S800

DN	PN	ITEM CODE
6	S800	GM2NNT1A044F000
10	S800	GM2NNT2A044F000
13	S800	GM2NNT3A044F000
20	S800	GM2NNT4A044F000
25	S800	GM2NNT5A044F000
32	S800	GM2NNT6A044F000
40	S800	GM2NNT7A044F000
50	S800	GM2NNT8A044F000
65	S800	GM2NNT9A044F000
80	S800	GM2NNTAA044F000
100	S800	GM2NNTBA044F000

"The company reserves the right to operate dimensional changes without prior notice".



## GM SAE J1926-1

TYPE	DN	A	B	C	D	E	F	ØG	H	I	L	M	CH	SW	LW	WEIGHT Kg
GM SAE4	6	-	23,5	72	44	10,5	66,5	47	110	109	15,5	7/16 UNF	32	9	6	0,869
GM SAE6	10	-	23,5	72	44	10,5	66,5	47	110	109	16	9/16 UNF	32	9	10	0,844
GM SAE8	13	-	26,5	81	48	10,5	72,5	53	110	115	17,5	3/4 UNF	38	9	13	1,151
GM SAE12	20	-	31,5	98	62	14	90	63	180	122	23	1"1/16 UN	48	14	20	2,109
GM SAE16	25	-	36,5	106	66	14	99	73	180	133	24	1"5/16 UN	55	14	25	2,872
GM SAE20	32	-	42	127	83	14	111	84	300	120,5	24	1"5/8 UN	65	17	32	4,557
GM SAE24	40	-	49,5	135	89	14	126	99	300	134,5	25	1"7/8 UN	80	17	40	6,482
GM SAE32	50	-	56	160	101	14	132	104	300	140,5	27	1"1/2 UN	90	17	50	7,966

"The company reserves the right to operate dimensional changes without prior notice".



**(POM seal)** GM SAE J1926-1 PN

DN	PN	ITEM CODE
6	500	GM2EEE05044A000
10	500	GM2EEE15044A000
13	500	GM2EEE25044A000
20	400	GM2EEE34044A000
25	350	GM2EEE43044A000
32	350	GM2EEE53044A000
40	350	GM2EEE63044A000
50	350	GM2EEE73044A000

**(PEEK seal)** GM SAE J1926-1 PN

DN	PN	ITEM CODE
6	500	GM2EEE05044P000
10	500	GM2EEE15044P000
13	500	GM2EEE25044P000
20	400	GM2EEE34044P000
25	350	GM2EEE43044P000
32	350	GM2EEE53044P000
40	350	GM2EEE63044P000
50	350	GM2EEE73044P000

**(PA612 seal)** GM SAE J1926-1 PN

DN	PN	ITEM CODE
6	500	GM2EEE05044T000
10	500	GM2EEE15044T000
13	500	GM2EEE25044T000
20	400	GM2EEE34044T000
25	350	GM2EEE43044T000
32	350	GM2EEE53044T000
40	350	GM2EEE63044T000
50	350	GM2EEE73044T000

**(GEMPTFE seal)** GM SAE J1926-1 PN

DN	PN	ITEM CODE
6	500	GM2EEE05044L000
10	500	GM2EEE15044L000
13	500	GM2EEE25044L000
20	400	GM2EEE34044L000
25	350	GM2EEE43044L000
32	350	GM2EEE53044L000
40	350	GM2EEE63044L000
50	350	GM2EEE73044L000

**(POM seal)** GM SAE J1926-1 S3000

DN	PN	ITEM CODE
6	S3000	GM2EEE0F044A000
10	S3000	GM2EEE1F044A000
13	S3000	GM2EEE2F044A000
20	S3000	GM2EEE3F044A000
25	S3000	GM2EEE4F044A000
32	S3000	GM2EEE5F044A000
40	S3000	GM2EEE6F044A000
50	S3000	GM2EEE7F044A000

**(PEEK seal)** GM SAE J1926-1 S3000

DN	PN	ITEM CODE
6	S3000	GM2EEE0F044P000
10	S3000	GM2EEE1F044P000
13	S3000	GM2EEE2F044P000
20	S3000	GM2EEE3F044P000
25	S3000	GM2EEE4F044P000
32	S3000	GM2EEE5F044P000
40	S3000	GM2EEE6F044P000
50	S3000	GM2EEE7F044P000

**(PA612 seal)** GM SAE J1926-1 S3000

DN	PN	ITEM CODE
6	S3000	GM2EEE0F044T000
10	S3000	GM2EEE1F044T000
13	S3000	GM2EEE2F044T000
20	S3000	GM2EEE3F044T000
25	S3000	GM2EEE4F044T000
32	S3000	GM2EEE5F044T000
40	S3000	GM2EEE6F044T000
50	S3000	GM2EEE7F044T000

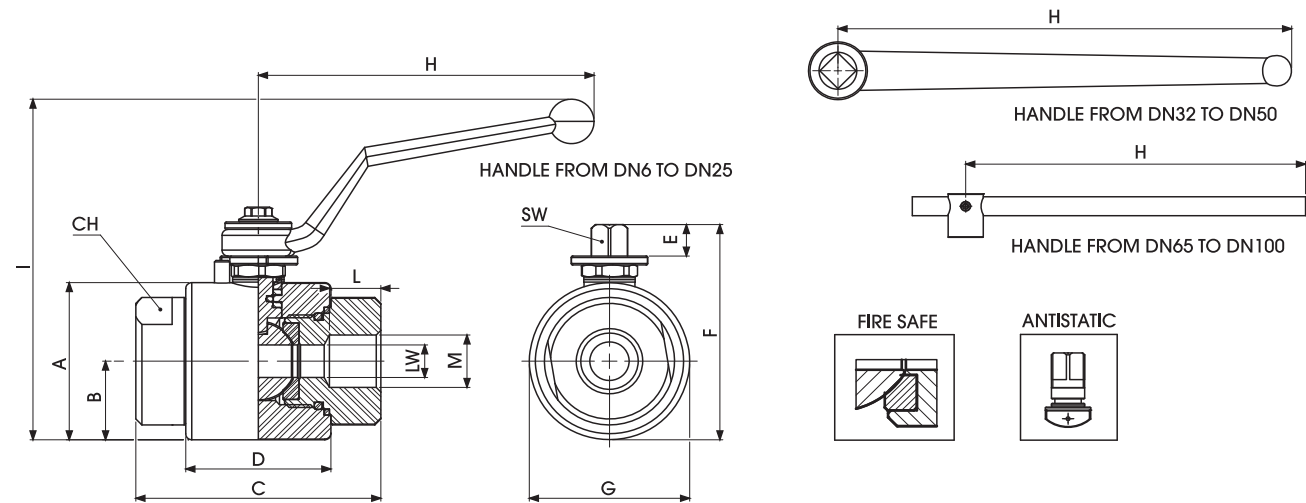
**(GEMPTFE seal)** GM SAE J1926-1 S3000

DN	PN	ITEM CODE
6	S3000	GM2EEE0F044L000
10	S3000	GM2EEE1F044L000
13	S3000	GM2EEE2F044L000
20	S3000	GM2EEE3F044L000
25	S3000	GM2EEE4F044L000
32	S3000	GM2EEE5F044L000
40	S3000	GM2EEE6F044L000
50	S3000	GM2EEE7F044L000

**(PTFE seal)** GM SAE J1926-1 S800

DN	PN	ITEM CODE
6	S800	GM2EEEE0A044F000
10	S800	GM2EEE1A044F000
13	S800	GM2EEE2A044F000
20	S800	GM2EEE2A044F000
25	S800	GM2EEE4A044F000
32	S800	GM2EEE5A044F000
40	S800	GM2EEE6A044F000
50	S800	GM2EEE7A044F000

"The company reserves the right to operate dimensional changes without prior notice".



## GM SW

TYPE	DN	A	B	C	D	E	F	ØG	H	I	L	ØM	CH	SW	LW	WEIGHT Kg
GM SW 1/4	6	-	23,5	72	44	10,5	66,5	47	110	109	11,1	14,1	32	9	6	0,869
GM SW 3/8	10	-	23,5	72	44	10,5	66,5	47	110	109	11,1	17,53	32	9	10	0,844
GM SW 1/2	13	-	26,5	81	48	10,5	72,5	53	110	115	12,7	21,72	38	9	13	1,151
GM SW 3/4	20	-	31,5	98	62	14	90	63	180	122	15	27,05	48	14	20	2,109
GM SW 1"	25	-	36,5	106	66	14	99	73	180	133	16	33,78	55	14	25	2,872
GM SW 1" 1/4	32	-	42	127	83	14	111	84	300	120,5	17,5	42,7	65	17	32	4,557
GM SW 1" 1/2	40	-	49,5	135	89	14	126	99	300	134,5	19	48,64	80	17	40	6,482
GM SW 2"	50	-	56	160	101	14	132	104	300	140,5	22	61,2	90	17	50	7,966
GM SW 2" 1/2	65	140	70	174	105	23,5	176,5	150	600	226	30	73,9	110	19	65	17,506
GM SW 3"	80	155	77,5	191,5	114	23,5	191	167	600	241	30	89,8	125	19	80	22,896
GM SW 4"	100	188	94	230	148	31	231,5	200	600	278,5	30	115,2	150	19	100	36,999

"The company reserves the right to operate dimensional changes without prior notice".



**(POM seal)** GM SW PN

DN	PN	ITEM CODE
6	500	GM2TTT15044A000
10	500	GM2TTT25044A000
13	500	GM2TTT35044A000
20	400	GM2TTT44044A000
25	350	GM2TTT53044A000
32	350	GM2TTT63044A000
40	350	GM2TTT73044A000
50	350	GM2TTT83044A000
65	150	GM2TTT9C044A000
80	100	GM2TTTA1044A000
100	50	GM2TTTB1044A000

**(PEEK seal)** GM SW PN

DN	PN	ITEM CODE
6	500	GM2TTT15044P000
10	500	GM2TTT25044P000
13	500	GM2TTT35044P000
20	400	GM2TTT44044P000
25	350	GM2TTT53044P000
32	350	GM2TTT63044P000
40	350	GM2TTT73044P000
50	350	GM2TTT83044P000
65	150	GM2TTT9C044P000
80	100	GM2TTTA1044P000
100	50	GM2TTTB1044P000

**(PA612 seal)** GM SW PN

DN	PN	ITEM CODE
6	500	GM2TTT15044T000
10	500	GM2TTT25044T000
13	500	GM2TTT35044T000
20	400	GM2TTT44044T000
25	350	GM2TTT53044T000
32	350	GM2TTT63044T000
40	350	GM2TTT73044T000
50	350	GM2TTT83044T000
65	150	GM2TTT9C044T000
80	100	GM2TTTA1044T000
100	50	GM2TTTB1044T000

**(GEMPTFE seal)** GM SW PN

DN	PN	ITEM CODE
6	500	GM2TTT15044L000
10	500	GM2TTT25044L000
13	500	GM2TTT35044L000
20	400	GM2TTT44044L000
25	350	GM2TTT53044L000
32	350	GM2TTT63044L000
40	350	GM2TTT73044L000
50	350	GM2TTT83044L000
65	150	GM2TTT9C044L000
80	100	GM2TTTA1044L000
100	50	GM2TTTB1044L000

**(POM seal)** GM SW S3000

DN	PN	ITEM CODE
6	S3000	GM2TTT1F044A000
10	S3000	GM2TTT2F044A000
13	S3000	GM2TTT3F044A000
20	S3000	GM2TTT4F044A000
25	S3000	GM2TTT5F044A000
32	S3000	GM2TTT6F044A000
40	S3000	GM2TTT7F044A000
50	S3000	GM2TTT8F044A000
65	S3000 (15 Mpa)	GM2TTT9F044A000
80	S3000 (10 Mpa)	GM2TTTAF044A000
100	S3000 (5 Mpa)	GM2TTTBF044A000

**(PEEK seal)** GM SW S3000

DN	PN	ITEM CODE
6	S3000	GM2TTT1F044P000
10	S3000	GM2TTT2F044P000
13	S3000	GM2TTT3F044P000
20	S3000	GM2TTT4F044P000
25	S3000	GM2TTT5F044P000
32	S3000	GM2TTT6F044P000
40	S3000	GM2TTT7F044P000
50	S3000	GM2TTT8F044P000
65	S3000 (15 Mpa)	GM2TTT9F044P000
80	S3000 (10 Mpa)	GM2TTTAF044P000
100	S3000 (5 Mpa)	GM2TTTBF044P000

**(PA612 seal)** GM SW S3000

DN	PN	ITEM CODE
6	S3000	GM2TTT1F044T000
10	S3000	GM2TTT2F044T000
13	S3000	GM2TTT3F044T000
20	S3000	GM2TTT4F044T000
25	S3000	GM2TTT5F044T000
32	S3000	GM2TTT6F044T000
40	S3000	GM2TTT7F044T000
50	S3000	GM2TTT8F044T000
65	S3000 (15 Mpa)	GM2TTT9F044T000
80	S3000 (10 Mpa)	GM2TTTAF044T000
100	S3000 (5 Mpa)	GM2TTTBF044T000

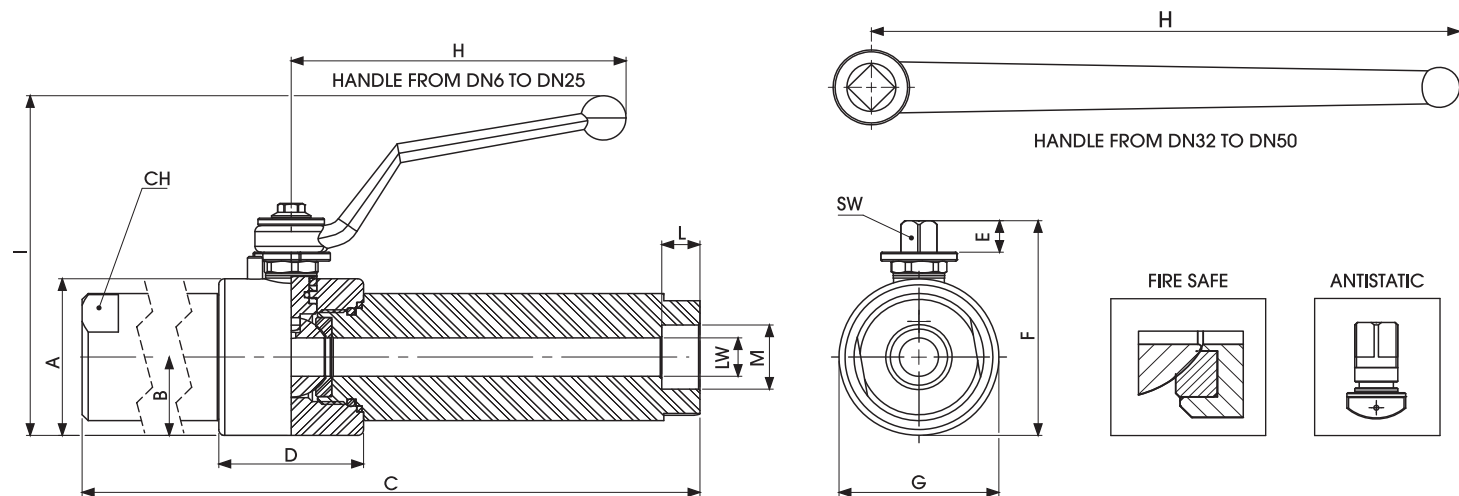
**(GEMPTFE seal)** GM SW S3000

DN	PN	ITEM CODE
6	S3000	GM2TTT1F044L000
10	S3000	GM2TTT2F044L000
13	S3000	GM2TTT3F044L000
20	S3000	GM2TTT4F044L000
25	S3000	GM2TTT5F044L000
32	S3000	GM2TTT6F044L000
40	S3000	GM2TTT7F044L000
50	S3000	GM2TTT8F044L000
65	S3000 (15 Mpa)	GM2TTT9F044L000
80	S3000 (10 Mpa)	GM2TTTAF044L000
100	S3000 (5 Mpa)	GM2TTTBF044L000

**(PTFE seal)** GM SW S800

DN	PN	ITEM CODE
6	S800	GM2TTT1A044F000
10	S800	GM2TTT2A044F000
13	S800	GM2TTT3A044F000
20	S800	GM2TTT4A044F000
25	S800	GM2TTT5A044F000
32	S800	GM2TTT6A044F000
40	S800	GM2TTT7A044F000
50	S800	GM2TTT8A044F000

"The company reserves the right to operate dimensional changes without prior notice".



## GM SW EXTRALONG

TYPE	DN	A	B	C	D	E	F	ØG	H	I	L	ØM	CH	SW	LW	WEIGHT Kg
GM SWXT 1/4"	6	-	23,5	262	44	10,5	66,5	47	110	109	11,1	14,1	32	9	6	2,529
GM SWXT 3/8"	10	-	23,5	262	44	10,5	66,5	47	110	109	11,1	17,53	32	9	10	2,427
GM SWXT 1/2"	13	-	26,5	271	48	10,5	72,5	53	110	115	12,7	21,72	38	9	13	3,126
GM SWXT 3/4"	20	-	31,5	288	62	14	90	63	180	122	15	27,05	48	14	20	5,056
GM SWXT 1"	25	-	36,5	296	66	14	99	73	180	133	16	33,78	55	14	25	6,956
GM SWXT 1" 1/4"	32	-	42	318	83	14	111	84	300	120,5	17,5	42,7	65	17	32	9,83
GM SWXT 1" 1/2"	40	-	49,5	325	89	14	126	99	300	134,5	19	48,64	80	17	40	13,883
GM SWXT 2"	50	-	56	350	101	14	132	104	300	140,5	22	61,2	90	17	50	16,733

"The company reserves the right to operate dimensional changes without prior notice".



**(POM seal)** GM SW EXTRALONG PN

DN	PN	ITEM CODE
6	500	GM2TXT15044A000
10	500	GM2TXT25044A000
13	500	GM2TXT35044A000
20	400	GM2TXT44044A000
25	350	GM2TXT53044A000
32	350	GM2TXT63044A000
40	350	GM2TXT73044A000
50	350	GM2TXT83044A000

**(PEEK seal)** GM SW EXTRALONG PN

DN	PN	ITEM CODE
6	500	GM2TXT15044P000
10	500	GM2TXT25044P000
13	500	GM2TXT35044P000
20	400	GM2TXT44044P000
25	350	GM2TXT53044P000
32	350	GM2TXT63044P000
40	350	GM2TXT73044P000
50	350	GM2TXT83044P000

**(PA612 seal)** GM SW EXTRALONG PN

DN	PN	ITEM CODE
6	500	GM2TXT15044T000
10	500	GM2TXT25044T000
13	500	GM2TXT35044T000
20	400	GM2TXT44044T000
25	350	GM2TXT53044T000
32	350	GM2TXT63044T000
40	350	GM2TXT73044T000
50	350	GM2TXT83044T000

**(GEMPTFE seal)** GM SW EXTRALONG PN

DN	PN	ITEM CODE
6	500	GM2TXT15044L000
10	500	GM2TXT25044L000
13	500	GM2TXT35044L000
20	400	GM2TXT44044L000
25	350	GM2TXT53044L000
32	350	GM2TXT63044L000
40	350	GM2TXT73044L000
50	350	GM2TXT83044L000

**(POM seal)** GM SW EXTRALONG S3000

DN	PN	ITEM CODE
6	S3000	GM2TXT1F044A000
10	S3000	GM2TXT2F044A000
13	S3000	GM2TXT3F044A000
20	S3000	GM2TXT4F044A000
25	S3000	GM2TXT5F044A000
32	S3000	GM2TXT6F044A000
40	S3000	GM2TXT7F044A000
50	S3000	GM2TXT8F044A000

**(PEEK seal)** GM SW EXTRALONG S3000

DN	PN	ITEM CODE
6	S3000	GM2TXT1F044P000
10	S3000	GM2TXT2F044P000
13	S3000	GM2TXT3F044P000
20	S3000	GM2TXT4F044P000
25	S3000	GM2TXT5F044P000
32	S3000	GM2TXT6F044P000
40	S3000	GM2TXT7F044P000
50	S3000	GM2TXT8F044P000

**(PA612 seal)** GM SW EXTRALONG S3000

DN	PN	ITEM CODE
6	S3000	GM2TXT1F044T000
10	S3000	GM2TXT2F044T000
13	S3000	GM2TXT3F044T000
20	S3000	GM2TXT4F044T000
25	S3000	GM2TXT5F044T000
32	S3000	GM2TXT6F044T000
40	S3000	GM2TXT7F044T000
50	S3000	GM2TXT8F044T000

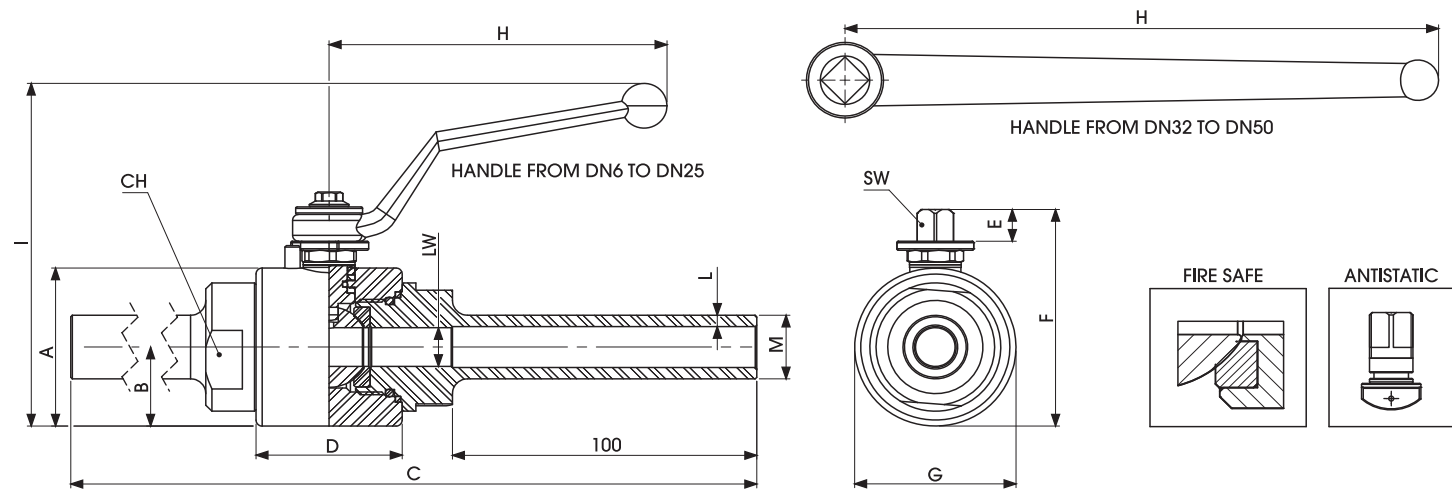
**(GEMPTFE seal)** GM SW EXTRALONG S3000

DN	PN	ITEM CODE
6	S3000	GM2TXT1F044L000
10	S3000	GM2TXT2F044L000
13	S3000	GM2TXT3F044L000
20	S3000	GM2TXT4F044L000
25	S3000	GM2TXT5F044L000
32	S3000	GM2TXT6F044L000
40	S3000	GM2TXT7F044L000
50	S3000	GM2TXT8F044L000

**(PTFE seal)** GM SW EXTRALONG S800

DN	PN	ITEM CODE
6	S800	GM2TXT1A044F000
10	S800	GM2TXT2A044F000
13	S800	GM2TXT3A044F000
20	S800	GM2TXT4A044F000
25	S800	GM2TXT5A044F000
32	S800	GM2TXT6A044F000
40	S800	GM2TXT7A044F000
50	S800	GM2TXT8A044F000

"The company reserves the right to operate dimensional changes without prior notice".



## GM PE

TYPE	DN	A	B	C	D	E	F	ØG	H	I	L SCH80	ØM	CH	SW	LW	WEIGHT Kg
GM PE 1/4	6	-	23,5	272	44	10,5	66,5	47	110	109	3,02	13,7	32	9	6	1,054
GM PE 3/8	10	-	23,5	272	44	10,5	66,5	47	110	109	3,2	17,1	32	9	10	1,093
GM PE 1/2	13	-	26,5	281	48	10,5	72,5	53	110	115	3,73	21,3	38	9	13	1,528
GM PE 3/4	20	-	31,5	298	62	14	90	63	180	122	3,91	26,7	48	14	20	2,63
GM PE 1"	25	-	36,5	306	66	14	99	73	180	133	4,55	33,4	55	14	25	3,646
GM PE 1" 1/4	32	-	42	327	83	14	111	84	300	120,5	4,85	42,2	65	17	32	5,638
GM PE 1" 1/2	40	-	49,5	335	89	14	126	99	300	134,5	5,08	48,3	80	17	40	7,73
GM PE 2"	50	-	56	360	101	14	132	104	300	140,5	5,54	60,3	90	17	50	9,827

"The company reserves the right to operate dimensional changes without prior notice".



**(POM seal)** GM PE PN

DN	PN	ITEM CODE
6	500	GM2BWT15044A000
10	500	GM2BWT25044A000
13	500	GM2BWT35044A000
20	400	GM2BWT44044A000
25	350	GM2BWT53044A000
32	350	GM2BWT63044A000
40	350	GM2BWT73044A000
50	350	GM2BWT83044A000

**(PEEK seal)** GM PE PN

DN	PN	ITEM CODE
6	500	GM2BWT15044P000
10	500	GM2BWT25044P000
13	500	GM2BWT35044P000
20	400	GM2BWT44044P000
25	350	GM2BWT53044P000
32	350	GM2BWT63044P000
40	350	GM2BWT73044P000
50	350	GM2BWT83044P000

**(PA612 seal)** GM PE PN

DN	PN	ITEM CODE
6	500	GM2BWT15044T000
10	500	GM2BWT25044T000
13	500	GM2BWT35044T000
20	400	GM2BWT44044T000
25	350	GM2BWT53044T000
32	350	GM2BWT63044T000
40	350	GM2BWT73044T000
50	350	GM2BWT83044T000

**(GEMPTFE seal)** GM PE PN

DN	PN	ITEM CODE
6	500	GM2BWT15044L000
10	500	GM2BWT25044L000
13	500	GM2BWT35044L000
20	400	GM2BWT44044L000
25	350	GM2BWT53044L000
32	350	GM2BWT63044L000
40	350	GM2BWT73044L000
50	350	GM2BWT83044L000

**(POM seal)** GM PE S3000

DN	PN	ITEM CODE
6	S3000	GM2BWT1F044A000
10	S3000	GM2BWT2F044A000
13	S3000	GM2BWT3F044A000
20	S3000	GM2BWT4F044A000
25	S3000	GM2BWT5F044A000
32	S3000	GM2BWT6F044A000
40	S3000	GM2BWT7F044A000
50	S3000	GM2BWT8F044A000

**(PEEK seal)** GM PE S3000

DN	PN	ITEM CODE
6	S3000	GM2BWT1F044P000
10	S3000	GM2BWT2F044P000
13	S3000	GM2BWT3F044P000
20	S3000	GM2BWT4F044P000
25	S3000	GM2BWT5F044P000
32	S3000	GM2BWT6F044P000
40	S3000	GM2BWT7F044P000
50	S3000	GM2BWT8F044P000

**(PA612 seal)** GM PE S3000

DN	PN	ITEM CODE
6	S3000	GM2BWT1F044T000
10	S3000	GM2BWT2F044T000
13	S3000	GM2BWT3F044T000
20	S3000	GM2BWT4F044T000
25	S3000	GM2BWT5F044T000
32	S3000	GM2BWT6F044T000
40	S3000	GM2BWT7F044T000
50	S3000	GM2BWT8F044T000

**(GEMPTFE seal)** GM PE S3000

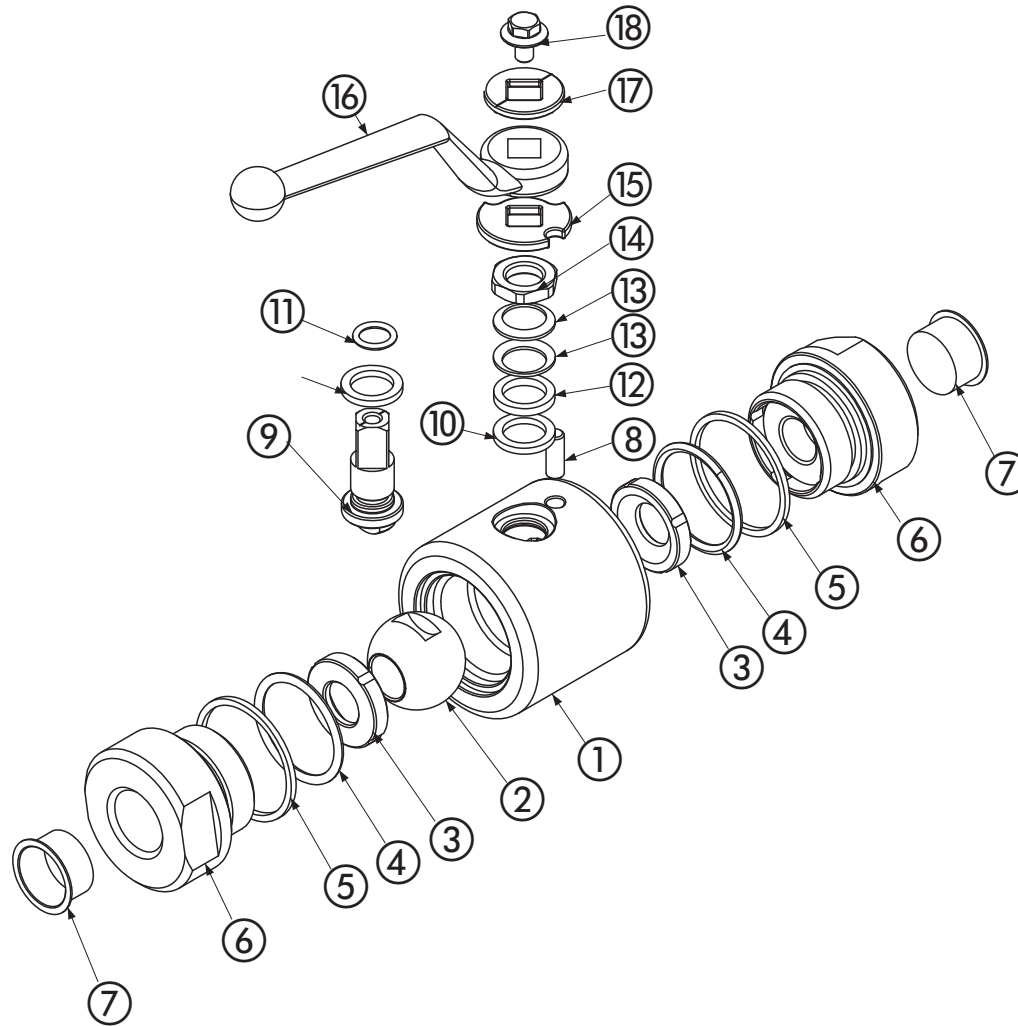
DN	PN	ITEM CODE
6	S3000	GM2BWT1F044L000
10	S3000	GM2BWT2F044L000
13	S3000	GM2BWT3F044L000
20	S3000	GM2BWT4F044L000
25	S3000	GM2BWT5F044L000
32	S3000	GM2BWT6F044L000
40	S3000	GM2BWT7F044L000
50	S3000	GM2BWT8F044L000

**(PTFE seal)** GM PE S800

DN	PN	ITEM CODE
6	S800	GM2BWT1A044F000
10	S800	GM2BWT2A044F000
13	S800	GM2BWT3A044F000
20	S800	GM2BWT4A044F000
25	S800	GM2BWT5A044F000
32	S800	GM2BWT6A044F000
40	S800	GM2BWT7A044F000
50	S800	GM2BWT8A044F000

"The company reserves the right to operate dimensional changes without prior notice".

# GM 2-WAY HIGH PRESSURE BALL VALVES



Pos	Description	Material	Q.tà
1	Body	1,4404	1
2	Ball	1,4404	1
3	Ball seat	PTFE	2
4	Adapter o-ring	NBR	2
5	Adapter ring	PTFE	2
6	Adapter	1,4404	2
7	Caps	PVC	2
8	Spine	1,4301	1
9	Stem	1,4404	1
10	Stem ring	PTFE	2
11	Stem o-ring	NBR	1
12	Press ring	1,4301	1
13	Spring	1,4301	2
14	Nut	1,4301	1
15	Washer	1,4301	1
16	Handle	1,0116	1
17	Washer	1,4301	1
18	Screw	DIN6921 A2	1

### On request

- Reduced bore
- O-Ring in EPDM, FFKM, MQV
- Seals in PEEK, PA 612, RPTFE, GEMPTFE
- Special Threads
- Pressure Class S800,S3000,PN100 to PN500
- Locking device

• For further special requests please consult our technical/commercial service

"The company reserves the right to operate dimensional changes without prior notice".